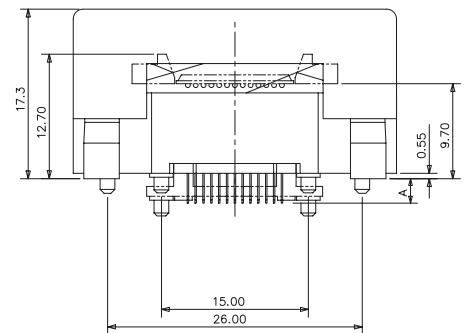
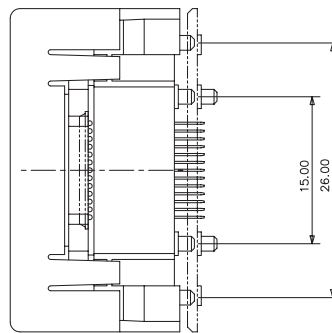
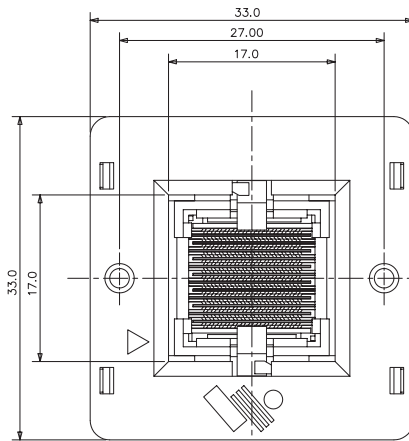
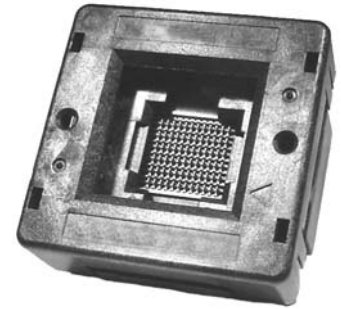
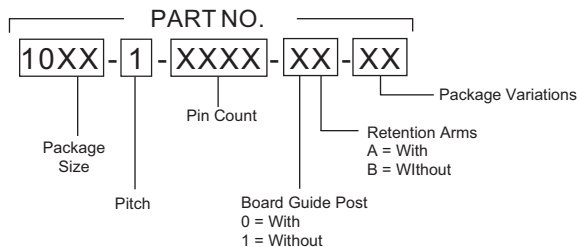


1000-1 Series 0.80mm Pitch FBGA

- Open top, vertically actuated
- Pinch and scrub contact system
- Dual moving beams per contact
- Two points of contact per solder ball
- Board mounting features
- Through hole contact
- Maintains package position for ease of handler programming



DESCRIPTION & ORDERING INFORMATION



MATERIALS & SPECIFICATIONS

- Socket Body and Lid: PES and LCP
- Contact: BeCu, Gold over Nickel Plated
- Metal Components: Stainless Steel
- Contact Force: 12 grams for 0.4mm dia. solder ball; 15g for 0.5mm dia. solder ball
- Actuation Force: 3 Kg, 5Kg, 7Kg for full grid depending on socket size
- Contact Resistance: < 50 mΩ
- Dielectric Withstanding Voltage: 500V RMS
- Current Carrying Capability: 0.5A
- Insulation Resistance: > 700 mΩ at 500V DC
- Temperature Rating: -55°C to +150°C
- Durability: 10,000 cycles (1 cycle - 1 load and 1 unload)



1000-1 Series 0.80mm Pitch FBGA

Pitch e (mm)	Lead Count	Package Size	Matrix	Ball Dia. (mm)	Part Number	Socket Dimensions (mm)		
						Length (A)	Width (B)	Height (C)
0.80	25	5X5	5X5	0.5 +/- 0.05	1005-1-0025-0B-00	33.0	33.0	17.3
	32	7X7	7X7	0.5 +/- 0.05	1007-1-0032-0B-00	33.0	33.0	17.3
	36	5X5	6X6	0.56	1005-1-0036-0B-00	33.0	33.0	17.3
	48	9X8	8X6	0.3	1009-1-0048-0B-00	33.0	33.0	17.3
	48	10X8	8X6	0.3	1010-1-0048-0B-00	33.0	33.0	17.3
	48	7X7	8X6	0.3	1007-1-0048-0B-00	33.0	33.0	17.3
	48	6X8	6X8	.335 +/- .035	1008-1-0048-0B-00	33.0	33.0	17.3
	48	9X6	8X6	0.3 +/- 0.05	1009-1-0048-0A-01	33.0	33.0	17.3
	49	8.5X8.5	7X7	0.42 +/- 0.05	1008-1-0049-0A-10	33.0	33.0	17.3
	49	7X7	7X7	0.48	1007-1-0049-0B-00	33.0	33.0	17.3
	56	8X10	8X8	0.4	1010-1-0056-0B-00	33.0	33.0	17.3
	56	12X12	8X8	0.4	1012-1-0056-0B-00	33.0	33.0	17.3
	63	9X11	12X10	0.4 +/- 0.05	1011-1-0063-0A-00	33.0	33.0	17.3
	63	11X9	12X10	0.4 +/- 0.05	1011-1-0063-0A-01	33.0	33.0	17.3
	64	9X9	10X10	0.5	1009-1-0064-0B-00	33.0	33.0	17.3
	64	8X8	8X8	0.5	1008-1-0064-0B-00	33.0	33.0	17.3
	64	8X10	8X8	0.4	1010-1-0064-0B-00	33.0	33.0	17.3
	64	8X8	8X8	0.5	1008-1-0064-0B-01	33.0	33.0	17.3
	64	7X7	8X8	0.4 +/- 0.15	1007-1-0064-0B-00	33.0	33.0	17.3
	64	12X10	8X8	0.34	1012-1-0064-0B-00	33.0	33.0	17.3
	69	8X8	9X9	0.5 +/- 0.05	1008-1-0069-0B-00	33.0	33.0	17.3
	69	12X10	12X10	0.45 +/- 0.05	1012-1-0069-0B-00	33.0	33.0	17.3
	74	8X8	9X9	0.4 +/- 0.05	1008-1-0074-0B-00	33.0	33.0	17.3
	79	12X10	12X10	0.4	1012-1-0079-0B-00	33.0	33.0	17.3
	80	9X9	10X10	0.5 +/- 0.05	1009-1-0080-0A-00	33.0	33.0	17.3
	81	8X8	9X9	.48 +/- 0.05	1008-1-0081-0B-00	33.0	33.0	17.3
	81	9X9	9X9	0.4	1009-1-0081-0B-00	33.0	33.0	17.3
	81	9X9	9X9	0.33 +/- 0.05	1009-1-0081-0B-01	33.0	33.0	17.3
	81	9X9	9X9	0.46 +/- 0.05	1009-1-0081-0A-00	33.0	33.0	17.3
	100	9X9	10X10	0.48	1009-1-0100-1A-00	33.0	33.0	17.3
	100	9X9	10X10	0.48 +/- 0.05	1009-1-0100-0B-00	33.0	33.0	17.3
	100	10X10	12X12	0.45	1010-1-0100-0B-00	33.0	33.0	17.3
	100	11X11	11X11	0.45 - 0.55	1011-1-0100-0B-00	33.0	33.0	17.3
	100	10X10	10X10	0.46 +/- 0.05	1010-1-0100-0B-01	33.0	33.0	17.3
	100	10X10	10X10	0.46	1010-1-0100-0A-00	33.0	33.0	17.3
	108	10X10	12X12	0.50 +/- 0.05	1010-1-0108-0B-00	33.0	33.0	17.3
	109	11X11	12X12	0.5	1011-1-0109-0B-00	33.0	33.0	17.3
	113	9X9	11X11	0.5 +/- 0.05	1009-1-0113-0B-00	33.0	33.0	17.3
	120	11X9	12X10	0.4 +/- 0.05	1011-1-0120-0A-00	33.0	33.0	17.3
	121	9X9	11X11	0.46	1009-1-0121-0B-00	33.0	33.0	17.3
121	10X10	11X11	0.40 +/- 0.05	1010-1-0121-0B-00	33.0	33.0	17.3	
121	10X10	11X11	0.4 +/- 0.05	1010-1-0121-0B-01	33.0	33.0	17.3	
121	10X10	11X11	0.4	1010-1-0121-0B-02	33.0	33.0	17.3	
121	10X10	11X11	0.4 +/- 0.05	1010-1-0121-0A-00	33.0	33.0	17.3	
127	11X11	13X13	0.4 +/- 0.05	1011-1-0127-0B-00	33.0	33.0	17.3	
127	11X11	13X13	0.4 +/- 0.05	1011-1-0127-0B-01	33.0	33.0	17.3	
128	11X11	12X12	0.05 +/- 0.05	1011-1-0128-1B-00	33.0	33.0	17.3	
128	11X11	12X12	0.46	1011-1-0128-0B-00	33.0	33.0	17.3	
128	11X11	12X12	0.46	1011-1-0128-0A-00	33.0	33.0	17.3	
144	12X12	13X13	0.5	1012-1-0144-0B-00	33.0	33.0	17.3	
144	10X10	12X12	0.4	1010-1-0144-0B-00	33.0	33.0	17.3	
144	10X10	12X12	0.46	1010-1-0144-0B-01	33.0	33.0	17.3	
144	10X10	12X12	0.40 +/- 0.1	1010-1-0144-0A-00	33.0	33.0	17.3	
144	10X10	12X12	0.5 +/- 0.05	1010-1-0144-0B-02	33.0	33.0	17.3	
169	12X12	13X13	0.35 - 0.55	1012-1-0169-1B-00	33.0	33.0	17.3	
169	12X12	13X13	0.45 +/- 0.1	1012-1-0169-0B-00	33.0	33.0	17.3	

Continued on next page



1000-1 Series 0.80mm Pitch FBGA

Pitch e (mm)	Lead Count	Package Size	Matrix	Ball Dia. (mm)	Part Number	Socket Dimensions (mm)		
						Length (A)	Width (B)	Height (C)
0.80	63	16X12	18X12	0.4 +/- 0.05	1016-1-0063-0A-00	40.0	40.0	17.3
	123	14X14	16X16	0.46	1014-1-0123-0B-00	40.0	40.0	17.3
	132	12X12	14X14	0.5 +/- .05	1012-1-0132-0B-00	40.0	40.0	17.3
	160	12X12	14X14	0.48	1012-1-0160-0A-00	40.0	40.0	17.3
	160	12X12	14X14	0.46	1012-1-0160-0B-00	40.0	40.0	17.3
	160	12X12	14X14	0.5 +/- 0.1	1012-1-0160-0A-01	40.0	40.0	17.3
	160	12X12	14X14	0.4 +/- 0.05	1012-1-0160-0A-02	40.0	40.0	17.3
	160	13X13	13X13	0.5 +/- 0.05	1013-1-0160-0B-00	40.0	40.0	17.3
	160	13X9	16X10	0.4	1013-1-0160-0B-01	40.0	40.0	17.3
	160	13X9	16X10	0.4	1013-1-0160-0B-02	40.0	40.0	17.3
	163	15X15	18X18	0.45 +/- 0.05	1015-1-0163-0A-00	40.0	40.0	17.3
	165	14X14	11X15	0.4 +/- 0.05	1014-1-0165-0B-00	40.0	40.0	17.3
	168	12X12	14X14	0.4 +/- 0.05	1012-1-0168-0B-00	40.0	40.0	17.3
	176	15X15	17X17	0.45 - 0.55	1015-1-0176-0A-00	40.0	40.0	17.3
	176	15X15	17X17	0.5	1015-1-0176-0B-00	40.0	40.0	17.3
	176	13X13	15X15	0.5 +/- 0.05	1013-1-0176-0B-00	40.0	40.0	17.3
	176	13X13	15X15	0.46	1013-1-0176-0B-01	40.0	40.0	17.3
	176	13X13	15X15	0.46	1013-1-0176-0A-00	40.0	40.0	17.3
	179	12X12	14X14	0.30 - 0.50	1012-1-0179-0B-00	40.0	40.0	17.3
	180	12X12	14X14	0.5 +/- 0.05	1012-1-0180-0B-00	40.0	40.0	17.3
	180	12X12	14X14	0.48	1012-1-0180-0B-01	40.0	40.0	17.3
	185	13X13	15X15	0.46 +/- 0.1	1013-1-0185-0A-00	40.0	40.0	17.3
	192	14X14	16X16	0.46	1014-1-0192-0B-00	40.0	40.0	17.3
	192	14X14	16X16	0.46 +/- 0.05	1014-1-0192-0A-00	40.0	40.0	17.3
	192	13X13	14X14	0.5 +/- 0.05	1013-1-0192-0B-00	40.0	40.0	17.3
	192	11X13	12X16	0.4 +/- 0.05	1013-1-0192-0B-01	40.0	40.0	17.3
	192	11X13	12X16	0.4 +/- 0.05	1013-1-0192-0B-02	40.0	40.0	17.3
	196	12X12	14X14	0.5	1012-1-0196-0B-00	40.0	40.0	17.3
	200	13X13	15X15	0.4 +/- 0.05	1013-1-0200-0B-00	40.0	40.0	17.3
	208	15X15	17X17	0.46	1015-1-0208-0A-00	40.0	40.0	17.3
	208	15X15	17X17	0.45	1015-1-0208-0B-00	40.0	40.0	17.3
	208	15X15	17X17	0.46	1015-1-0208-0A-01	40.0	40.0	17.3
	208	15X15	17X17	0.5 +/- 0.15	1015-1-0208-0A-02	40.0	40.0	17.3
	209	16X16	19X19	0.45 - 0.55	1016-1-0209-0B-00	40.0	40.0	17.3
	216	16X12	18X12	0.4 +/- 0.05	1016-1-0216-0A-00	40.0	40.0	17.3
	217	15X15	17X17	0.4 +/- 0.05	1015-1-0217-0B-00	40.0	40.0	17.3
	224	13X13	15X15	0.35 - 0.45	1013-1-0224-0A-00	40.0	40.0	17.3
	225	15X15	15X15	0.35 - 0.45	1015-1-0225-0A-00	40.0	40.0	17.3
	225	13X13	15X15	0.35 - 0.45	1013-1-0225-0B-00	40.0	40.0	17.3
	225	13X13	15X15	0.35 - 0.45	1013-1-0225-0B-01	40.0	40.0	17.3
225	13X13	15X15	0.4 +/- 0.05	1013-1-0225-0A-00	40.0	40.0	17.3	
225	13X13	15X15	0.44	1013-1-0225-0B-02	40.0	40.0	17.3	
225	13X13	15X15	0.467	1013-1-0225-0A-01	40.0	40.0	17.3	
225	13X13	15X15	0.4 +/- 0.05	1013-1-0225-0A-02	40.0	40.0	17.3	
232	14X14	16X16	0.35 - 0.45	1014-1-0232-0A-00	40.0	40.0	17.3	
233	15X15	17X17	0.46 +/- 0.1	1015-1-0233-0A-00	40.0	40.0	17.3	
236	14X14	16X16	0.53	1014-1-0236-0B-00	40.0	40.0	17.3	
240	15X15	17X17	0.5	1015-1-0240-0B-00	40.0	40.0	17.3	
240	16X16	19X19	0.5 +/- 0.05	1016-1-0240-0A-00	40.0	40.0	17.3	
249	15X15	17X17	0.45 - 0.55	1015-1-0249-0B-00	40.0	40.0	17.3	
256	14X14	16X16	0.40 +/- 0.05	1014-1-0256-0A-00	40.0	40.0	17.3	
256	15X15	17X17	0.5 +/- 0.05	1015-1-0256-0B-00	40.0	40.0	17.3	
256	13X13	16X16	0.56	1013-1-0256-0B-00	40.0	40.0	17.3	
257	16X16	19X19	0.45 - 0.55	1016-1-0257-0B-00	40.0	40.0	17.3	
280	16X16	19X19	0.48	1016-1-0280-0B-00	40.0	40.0	17.3	
280	16X16	19X19	0.45 +/- 0.05	1016-1-0280-0A-00	40.0	40.0	17.3	

Continued on next page



1000-1 Series 0.80mm Pitch FBGA

Pitch e (mm)	Lead Count	Package Size	Matrix	Ball Dia. (mm)	Part Number	Socket Dimensions (mm)		
						Length (A)	Width (B)	Height (C)
0.80	280	17X17	19X19	0.45	1017-1-0280-0B-00	40.0	40.0	17.3
	285	16X16	18X18	0.5 +/- 0.05	1016-1-0285-0B-00	40.0	40.0	17.3
	285	16X16	18X18	0.5 +/- 0.05	1016-1-0285-0B-01	40.0	40.0	17.3
	285	16X16	18X18	0.5 +/- 0.05	1016-1-0285-0A-00	40.0	40.0	17.3
	288	16X16	19X19	0.45 - 0.55	1016-1-0288-0B-00	40.0	40.0	17.3
	288	16X16	19X19	0.5 +/- 0.05	1016-1-0288-0B-01	40.0	40.0	17.3
	289	15X15	17X17	0.48	1015-1-0289-0A-00	40.0	40.0	17.3
	291	16X16	19X19	0.4 +/- 0.05	1016-1-0291-0A-00	40.0	40.0	17.3
	312	16X16	19X19	0.45 - 0.55	1016-1-0312-0B-00	40.0	40.0	17.3
	332	17X17	19X19	0.5 +/- 0.1	1017-1-0332-0B-00	40.0	40.0	17.3
	332	17X17	19X19	0.40 - 0.60	1017-1-0332-0B-01	40.0	40.0	17.3
	332	17X17	19X19	0.40 - 0.60	1017-1-0332-0B-02	40.0	40.0	17.3
	332	17X17	19X19	0.5 +/- 0.1	1017-1-0332-0A-00	40.0	40.0	17.3
	332	17X17	19X19	0.5 +/- 0.1	1017-1-0332-1A-00	40.0	40.0	17.3
	332	17X17	19X19	0.5 +/- 0.1	1017-1-0332-0B-03	40.0	40.0	17.3
	332	17X17	19X19	0.5 +/- 0.1	1017-1-0332-0B-04	40.0	40.0	17.3
	361	16X16	19X19	0.45 - 0.55	1016-1-0361-0B-00	40.0	40.0	17.3
	361	17X17	19X19	0.5	1017-1-0361-0B-00	40.0	40.0	17.3
	256	17X17	20X20	0.45	1017-1-0256-0B-00	45.0	45.0	17.3
	272	17X17	20X20	0.45	1017-1-0272-0B-00	45.0	45.0	17.3
	272	17X17	20X20	0.46 +/- 0.05	1017-1-0272-0B-01	45.0	45.0	17.3
	272	17X17	20X20	0.4 +/- 0.05	1017-1-0272-0A-00	45.0	45.0	17.3
	288	19X19	22X22	0.46	1019-1-0288-0B-00	45.0	45.0	17.3
	316	17X17	20X20	0.46	1017-1-0316-0B-00	45.0	45.0	17.3
	320	18X18	21X21	0.4 +/- 0.05	1018-1-0320-0B-00	45.0	45.0	17.3
	324	19X19	22X22	0.45	1019-1-0324-0B-00	45.0	45.0	17.3
	352	18X18	22X22	0.4 +/- 0.05	1018-1-0352-0A-00	45.0	45.0	17.3
	360	17X17	20X20	0.5 +/- 0.05	1017-1-0360-0A-00	45.0	45.0	17.3
	360	19X19	23X23	0.46 +/- 0.1	1019-1-0360-0B-00	45.0	45.0	17.3
	384	18X18	22X22	0.50 +/- 0.1	1018-1-0384-0A-00	45.0	45.0	17.3
	384	18X18	22X22	0.50 +/- 0.1	1018-1-0384-0A-01	45.0	45.0	17.3
	384	18X18	22X22	0.50 +/- 0.1	1018-1-0384-0A-02	45.0	45.0	17.3
	399	17X17	20X20	0.4 +/- 0.05	1017-1-0399-0B-00	45.0	45.0	17.3
	399	17X17	20X20	0.4 +/- 0.05	1017-1-0399-0B-01	45.0	45.0	17.3
	400	17X17	20X20	0.4 +/- 0.05	1017-1-0400-0A-00	45.0	45.0	17.3
	400	17X17	20X20	0.4 +/- 0.05	1017-1-0400-0B-00	45.0	45.0	17.3
	400	17X17	20X20	0.4 +/- 0.05	1017-1-0400-0A-01	45.0	45.0	17.3
	424	19X19	23X23	0.4 +/- 0.05	1019-1-0424-0B-00	45.0	45.0	17.3
	424	19X19	23X23	0.4 +/- 0.05	1019-1-0424-0B-01	45.0	45.0	17.3
	424	19X19	23X23	0.4 +/- 0.05	1019-1-0424-0B-02	45.0	45.0	17.3
	431	20X20	21X21	0.5 +/- 0.05	1020-1-0431-0B-00	45.0	45.0	17.3
	431	20X20	21X21	0.5 +/- 0.05	1020-1-0431-0A-00	45.0	45.0	17.3
	431	20X20	21X21	0.5 +/- 0.05	1020-1-0431-0A-01	45.0	45.0	17.3
	480	19X19	22X22	0.4 +/- 0.05	1019-1-0480-0B-00	45.0	45.0	17.3
	480	19X19	22X22	0.4 +/- 0.05	1019-1-0480-0B-01	45.0	45.0	17.3
	480	19X19	22X22	0.4 +/- 0.05	1019-1-0480-0A-00	45.0	45.0	17.3
	484	18X18	22X22	0.50 +/- 0.1	1018-1-0484-0A-00	45.0	45.0	17.3
	484	19X19	22X22	0.46	1019-1-0484-0B-00	45.0	45.0	17.3
	484	19X19	22X22	0.46	1019-1-0484-0A-00	45.0	45.0	17.3
	529	19X19	23X23	0.4 +/- 0.05	1019-1-0529-0B-00	45.0	45.0	17.3
560	42.5X42.5	33X33	0.75	1042-1-0560-0B-10	45.0	45.0	17.3	