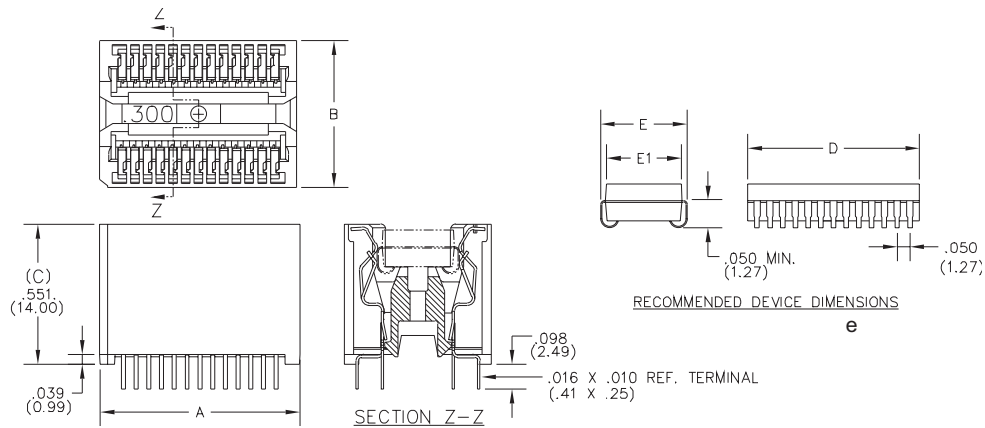


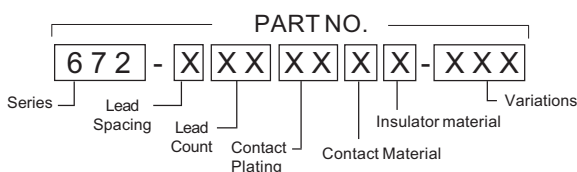
672 Series Direct Entry Dual Beam SOJ Socket

- Preloaded high normal force contacts
- Staggered contact tails provide .100" x .100" pin out spacing
- Allows probing of contacts with device in place
- Live bug insertion
- Center "sword" slot and index hole allow automatic loading and unloading of the device
- Dual beam contact provides two points of wipe on each device lead
- Contact overstress protection



| Lead Count | Pitch e (mm) | Package Dimensions (mm) | | | Part Number | Socket Dimensions (mm) | | |
|------------|--------------|-------------------------|---------------------|---------------|-----------------|------------------------|--------------|--------------|
| | | Width (E1) | Lead Tip to Tip (E) | Length (D) | | Length (A) | Width (B) | Height (C) |
| 20 | .050 (1.27) | .300 (7.62) | .339 (8.61) | .676 (17.17) | 672-1200311-001 | .775 (19.69) | .574 (14.58) | .551 (14.00) |
| 20 | .050 (1.27) | .300 (7.62) | .339 (8.61) | .676 (17.17) | 672-1200311-002 | .750 (19.05) | .574 (14.58) | .551 (14.00) |
| 20 | .050 (1.27) | .300 (7.62) | .339 (8.61) | .676 (17.17) | 672-1200311-003 | .795 (20.19) | .574 (14.58) | .551 (14.00) |
| 24 | .050 (1.27) | .300 (7.62) | .339 (8.61) | .626 (15.90) | 672-1240311 | .700 (17.78) | .574 (14.58) | .551 (14.00) |
| 24 | .050 (1.27) | .300 (7.62) | .339 (8.61) | .676 (17.17) | 672-1260311-008 | .750 (19.05) | .574 (14.58) | .551 (14.00) |
| 26 | .050 (1.27) | .300 (7.62) | .339 (8.61) | .676 (17.17) | 672-1260311-001 | .775 (19.69) | .574 (14.58) | .551 (14.00) |
| 26 | .050 (1.27) | .300 (7.62) | .339 (8.61) | .676 (17.17) | 672-1260311-002 | .750 (19.05) | .574 (14.58) | .551 (14.00) |
| 26 | .050 (1.27) | .300 (7.62) | .339 (8.61) | .676 (17.17) | 672-1260311-003 | .795 (20.19) | .574 (14.58) | .551 (14.00) |
| 28 | .050 (1.27) | .300 (7.62) | .339 (8.61) | .726 (18.44) | 672-1280311 | .800 (20.32) | .574 (14.58) | .551 (14.00) |
| 28 | .050 (1.27) | .400 (10.16) | .439 (11.15) | .726 (18.44) | 672-2280311 | .800 (20.32) | .674 (17.12) | .551 (14.00) |
| 32 | .050 (1.27) | .300 (7.62) | .339 (8.61) | .826 (20.98) | 672-1320311 | .945 (24.00) | .574 (14.58) | .551 (14.00) |
| 32 | .050 (1.27) | .400 (10.16) | .439 (11.15) | .826 (20.98) | 672-2320311 | .950 (34.13) | .674 (17.12) | .551 (14.00) |
| 36 | .050 (1.27) | .400 (10.16) | .439 (11.15) | .926 (23.52) | 672-2360311 | 1.050 (26.67) | .674 (17.12) | .551 (14.00) |
| 40 | .050 (1.27) | .400 (10.16) | .439 (11.15) | 1.026 (26.06) | 672-2400311 | 1.150 (29.21) | .674 (17.12) | .551 (14.00) |
| 42 | .050 (1.27) | .400 (10.16) | .439 (11.15) | 1.069 (27.15) | 672-2420311-004 | 1.200 (30.48) | .702 (17.83) | .551 (14.00) |
| 44 | .050 (1.27) | .400 (10.16) | .439 (11.15) | 1.123 (28.52) | 672-2440311-004 | 1.250 (31.75) | .702 (17.83) | .551 (14.00) |

DESCRIPTION & ORDERING INFORMATION



MATERIALS & SPECIFICATIONS

- Socket Body: PPS, PEI, or Equivalent
- Contact: Beryllium Copper Alloy
- Contact Plating: Gold over Nickel
- Contact Normal Force: 25 grams
- Contact Resistance: 25 mΩ
- Dielectric: 600V AC for 2 minutes
- Temperature Rating: 150°C
- Insulation Resistance: 20 MΩ @ 100V DC
- Durability: 5,000 cycles min.