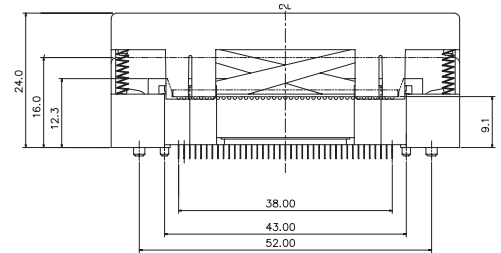
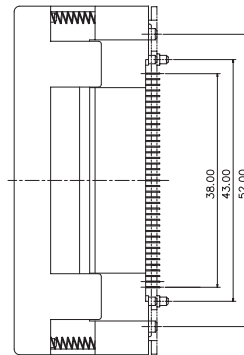
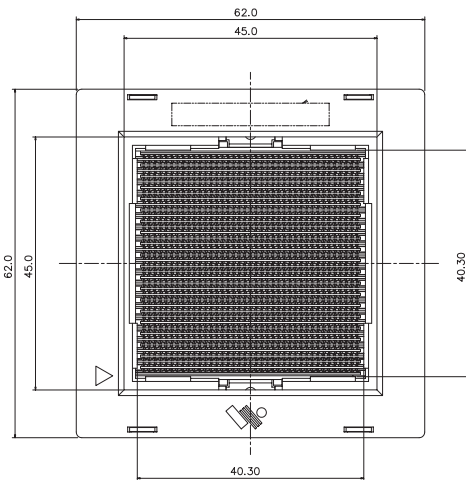
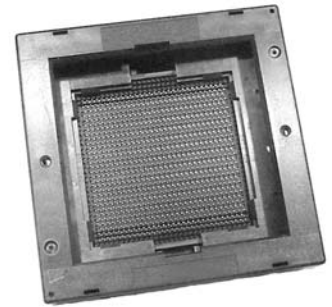
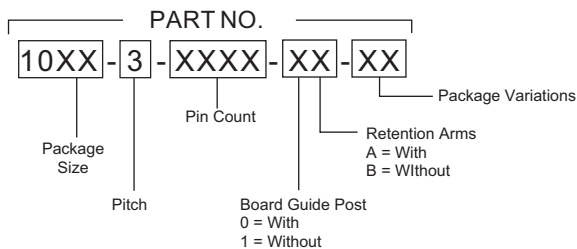


1000-3 Series 1.27mm Pitch BGA

- Open top, vertically actuated
- Pinch and scrub contact system
- Dual moving beams per contact
- Two points of contact per solder ball
- Board mounting features
- Through hole contact
- Maintains package position for ease of handler programming



DESCRIPTION & ORDERING INFORMATION



MATERIALS & SPECIFICATIONS

- Socket Body and Lid: PES and LCP
- Contact: BeCu, Gold over Nickel Plated
- Metal Components: Stainless Steel
- Contact Force: 17 grams
- Actuation Force: 4Kg to 7Kg for full grid depending on socket size
- Contact Resistance: < 50 mΩ
- Dielectric Withstanding Voltage: 500V RMS
- Current Carrying Capability: 0.5A
- Insulation Resistance: > 1000 mΩ at 100V DC
- Temperature Rating: -55°C to +150°C
- Durability: 10,000 cycles (1 cycle - 1 load and 1 unload)



1000-3 Series 1.27mm Pitch BGA

Pitch e (mm)	Lead Count	Package Size	Matrix	Ball Dia. (mm)	Part Number	Socket Dimensions (mm)		
						Length (A)	Width (B)	Height (C)
1.27	115	37X15	21X11	0.76	1037-3-0115-0A-00	56.7	56.7	18.0
	119	23X17	17X7	0.75 +/- 0.1	1023-3-0119-0B-00	56.7	56.7	18.0
	119	22X14	17X17	0.75 +/- 0.15	1022-3-0119-0B-00	56.7	56.7	18.0
	119	24X14	15X8	0.76	1024-3-0119-0B-00	56.7	56.7	18.0
	120	21.5X18	14X12	0.75	1021-3-0120-0B-10	56.7	56.7	18.0
	120	23.5X21	14X12	0.75	1023-3-0120-0B-10	56.7	56.7	18.0
	125	27X27	20X20	0.75 +/- 0.15	1027-3-0125-0B-00	56.7	56.7	18.0
	153	17X23	9X17	0.75	1023-3-0153-0B-00	56.7	56.7	18.0
	156	21X21	16X16	0.75 +/- 0.15	1021-3-0156-0B-00	56.7	56.7	18.0
	156	21X21	16X16	0.75 +/- 0.15	1021-3-0156-0B-01	56.7	56.7	18.0
	159	22.25X13.25	16X10	0.75	1022-3-0159-0B-10	56.7	56.7	18.0
	177	23X23	17X17	0.75 +/- 0.15	1023-3-0177-0B-00	56.7	56.7	18.0
	197	35X35	26X26	0.75	1035-3-0197-0B-00	56.7	56.7	18.0
	208	23X23	17X17	0.75	1023-3-0208-0B-00	56.7	56.7	18.0
	208	23X23	17X17	0.75 +/- 0.1	1023-3-0208-0B-01	56.7	56.7	18.0
	218	25X25	19X19	0.75 +/- 0.1	1025-3-0218-0B-00	56.7	56.7	18.0
	218	25X25	19X19	0.75 +/- 0.1	1025-3-0218-0B-01	56.7	56.7	18.0
	219	25X25	16X16	0.76	1025-3-0219-0B-00	56.7	56.7	18.0
	225	23X23	15X15	0.75 +/- 0.1	1023-3-0225-0B-00	56.7	56.7	18.0
	233	23X23	17X17	0.75	1023-3-0233-0B-00	56.7	56.7	18.0
	240	25X30	16X18	0.75	1030-3-0240-0B-00	56.7	56.7	18.0
	241	23X23	17X17	0.75	1023-3-0241-0B-00	56.7	56.7	18.0
	252	21X21	16X16	0.75 +/- 0.15	1021-3-0252-0B-00	56.7	56.7	18.0
	255	21X21	16X16	0.835 +/- 0.05	1021-3-0255-0B-00	56.7	56.7	18.0
	256	27X27	20X20	0.70 +/- 0.1	1027-3-0256-0B-00	56.7	56.7	18.0
	256	27X27	20X20	0.70 +/- 0.1	1027-3-0256-0B-01	56.7	56.7	18.0
	256	23X23	16X16	0.75 +/- 0.1	1023-3-0256-0B-00	56.7	56.7	18.0
	256	27X27	20X20	0.70 +/- 0.1	1027-3-0256-0B-02	56.7	56.7	18.0
	271	29X29	21X21	0.60 - 0.90	1029-3-0271-0B-00	56.7	56.7	18.0
	271	29X29	21X21	0.60 - 0.90	1029-3-0271-0B-01	56.7	56.7	18.0
	272	27X27	20X20	0.75 +/- 0.15	1027-3-0272-0B-00	56.7	56.7	18.0
	280	25X25	19X19	0.71	1025-3-0280-0B-00	56.7	56.7	18.0
	292	27X27	20X20	0.75 +/- 0.15	1027-3-0292-0B-00	56.7	56.7	18.0
	304	31X31	23X23	0.75	1031-3-0304-0B-00	56.7	56.7	18.0
	308	27X27	20X20	0.75	1027-3-0308-0B-00	56.7	56.7	18.0
	313	35X35	25X25	0.75 +/- 0.1	1035-3-0313-0B-00	56.7	56.7	18.0
	316	27X27	20X20	0.75	1027-3-0316-0B-00	56.7	56.7	18.0
	320	27X27	20X20	0.75	1027-3-0320-0B-00	56.7	56.7	18.0
	324	27X27	20X20	0.75 +/- 0.15	1027-3-0324-0B-00	56.7	56.7	18.0
	324	27X27	20X20	0.75 +/- 0.15	1027-3-0324-0B-01	56.7	56.7	18.0
326	35X35	26X26	0.75	1035-3-0326-0B-00	56.7	56.7	18.0	
352	27X27	20X20	0.75	1027-3-0352-0B-00	56.7	56.7	18.0	
352	35X35	26X26	0.75	1035-3-0352-0B-00	56.7	56.7	18.0	
352	35X35	26X26	0.60 - 0.90	1035-3-0352-0A-00	56.7	56.7	18.0	
352	27X27	20X20	0.75	1027-3-0352-0B-01	56.7	56.7	18.0	
352	35X35	26X26	0.75	1035-3-0352-0A-01	56.7	56.7	18.0	
352	35X35	26X26	0.75 +/- 0.15	1035-3-0352-0B-01	56.7	56.7	18.0	
352	35X35	26X26	0.60 - 0.90	1035-3-0352-0B-02	56.7	56.7	18.0	
356	35X35	26X26	0.75	1035-3-0356-0B-00	56.7	56.7	18.0	
356	35X35	26X26	0.75	1035-3-0356-0B-01	56.7	56.7	18.0	
356	35X35	26X26	0.75	1035-3-0356-0A-00	56.7	56.7	18.0	
360	25X25	19X19	0.60 - 0.90	1025-3-0360-0B-00	56.7	56.7	18.0	
368	35X35	27X27	0.75	1035-3-0368-0B-00	56.7	56.7	18.0	
369	27X27	20X20	0.75	1027-3-0369-0B-00	56.7	56.7	18.0	

Continued on next page



1000-3 Series 1.27mm Pitch BGA

Pitch e (mm)	Lead Count	Package Size	Matrix	Ball Dia. (mm)	Part Number	Socket Dimensions (mm)		
						Length (A)	Width (B)	Height (C)
1.27	380	27X27	20X20	0.75 +/- 0.1	1027-3-0380-0B-00	56.7	56.7	18.0
	385	31X31	23X23	0.75 +/- 0.1	1031-3-0385-0B-00	56.7	56.7	18.0
	388	35X35	26X26	0.75	1035-3-0388-0B-00	56.7	56.7	18.0
	388	35X35	26X26	0.75	1035-3-0388-1B-00	56.7	56.7	18.0
	388	35X35	26X26	0.75 +/- 0.15	1035-3-0388-0B-01	56.7	56.7	18.0
	400	27X27	20X20	0.75	1027-3-0400-0B-00	56.7	56.7	18.0
	416	35X35	26X26	0.75	1035-3-0416-0B-00	56.7	56.7	18.0
	420	35X35	26X26	0.75	1035-3-0420-0B-00	56.7	56.7	18.0
	433	31X31	23X23	0.75	1031-3-0433-0B-00	56.7	56.7	18.0
	452	35X35	26X26	0.75	1035-3-0452-0B-00	56.7	56.7	18.0
	456	35X35	26X26	0.75	1035-3-0456-0B-00	56.7	56.7	18.0
	457	31X31	23X23	0.75	1031-3-0457-0B-00	56.7	56.7	18.0
	472	29X29	22X22	0.75	1029-3-0472-0B-00	56.7	56.7	18.0
	480	35X35	26X26	0.75 +/- 0.15	1035-3-0480-0B-00	56.7	56.7	18.0
	484	29X29	22X22	0.82 - 0.93	1029-3-0484-0B-00	56.7	56.7	18.0
	484	35X35	26X26	0.75 +/- 0.15	1035-3-0484-0B-00	56.7	56.7	18.0
	492	35X35	26X26	0.75	1035-3-0492-0A-10	56.7	56.7	18.0
	492	35X35	26X26	0.75	1035-3-0492-0B-00	56.7	56.7	18.0
	496	35X35	26X26	0.75	1035-3-0496-0A-00	56.7	56.7	18.0
	503	32.5X32.5	25X25	0.60 - 0.90	1032-3-0503-0B-10	56.7	56.7	18.0
	510	35X35	26X26	0.75	1035-3-0510-0B-00	56.7	56.7	18.0
	516	35X35	26X26	0.60 - 0.90	1035-3-0516-0B-00	56.7	56.7	18.0
	516	35X35	26X26	0.60 - 0.90	1035-3-0516-0B-01	56.7	56.7	18.0
	520	35X35	26X26	0.75	1035-3-0520-0B-00	56.7	56.7	18.0
	528	31X31	23X23	0.75	1031-3-0528-0B-00	56.7	56.7	18.0
	529	31X31	23X23	0.75	1031-3-0529-0B-00	56.7	56.7	18.0
	544	35X35	26X26	0.75 +/- 0.1	1035-3-0544-0B-00	56.7	56.7	18.0
	548	35X35	26X26	0.75	1035-3-0548-0A-00	56.7	56.7	18.0
	552	35X35	26X26	0.76	1035-3-0552-0B-00	56.7	56.7	18.0
	564	35X35	26X26	0.75	1035-3-0564-0B-00	56.7	56.7	18.0
	564	35X35	26X26	0.75	1035-3-0564-0A-00	56.7	56.7	18.0
	575	31X31	24X24	0.75 +/- 0.15	1031-3-0575-0B-00	56.7	56.7	18.0
	575	31X31	24X24	0.75	1031-3-0575-0B-01	56.7	56.7	18.0
	580	35X35	26X26	0.75 +/- 0.15	1035-3-0580-0B-00	56.7	56.7	18.0
	613	33X33	25X25	0.7	1033-3-0613-0B-00	56.7	56.7	18.0
	624	32.5X32.5	25X25	0.75 +/- 0.15	1032-3-0624-0B-10	56.7	56.7	18.0
	624	32.5X32.5	25X25	0.75 +/- 0.15	1032-3-0624-0B-11	56.7	56.7	18.0
	624	32.5X32.5	25X25	0.75 +/- 0.15	1032-3-0624-0B-12	56.7	56.7	18.0
	624	32.33X32.33	25X25	0.89 +/- 0.4	1032-3-0624-0B-13	56.7	56.7	18.0
	637	35X35	27X27	0.75	1035-3-0637-0B-00	56.7	56.7	18.0
	676	35X35	26X26	0.75	1035-3-0676-0A-00	56.7	56.7	18.0
	676	35X35	26X26	0.75 +/- 0.025	1035-3-0676-0B-00	56.7	56.7	18.0
	676	35X35	26X26	0.75 +/- 0.15	1035-3-0676-0B-01	56.7	56.7	18.0
	729	35X35	27X27	0.75 +/- 0.05	1035-3-0729-0B-00	56.7	56.7	18.0
	729	35X35	27X27	0.75	1035-3-0729-0B-01	56.7	56.7	18.0
80	40X40	31X31	0.76 +/- 0.14	1040-3-0080-0A-00	69.1	69.1	20.5	
397	45X45	34X34	0.75 +/- 0.1	1045-3-0397-0B-00	69.1	69.1	20.5	
432	40X40	31X31	0.75	1040-3-0432-0B-00	69.1	69.1	20.5	
432	40X40	31X31	0.75	1040-3-0432-0B-01	69.1	69.1	20.5	
480	37.5X37.5	29X29	0.65 - 0.85	1037-3-0480-0B-10	69.1	69.1	20.5	
480	37.5X37.5	29X29	0.75 +/- 0.15	1037-3-0480-0B-11	69.1	69.1	20.5	
500	37.5X37.5	28X28	0.76 +/- 0.14	1037-3-0500-0B-10	69.1	69.1	20.5	
504	37.5X37.5	29X29	0.75 +/- 0.15	1037-3-0504-0B-10	69.1	69.1	20.5	
504	40X40	29X29	0.75 +/- 0.15	1040-3-0504-0B-00	69.1	69.1	20.5	

Continued on next page



1000-3 Series 1.27mm Pitch BGA

Pitch e (mm)	Lead Count	Package Size	Matrix	Ball Dia. (mm)	Part Number	Socket Dimensions (mm)		
						Length (A)	Width (B)	Height (C)
1.27	519	40X40	31X31	0.76 +/- 0.05	1040-3-0519-0B-00	69.1	69.1	20.5
	520	40X40	31X31	0.75	1040-3-0520-0B-00	69.1	69.1	20.5
	553	37.5X37.5	29X29	0.75 +/- 0.1	1037-3-0553-0B-10	69.1	69.1	20.5
	560	42.50X42.50	33X33	0.75	1042-3-0560-0B-10	69.1	69.1	20.5
	560	42.5X42.5	33X33	0.75	1042-3-0560-0B-11	69.1	69.1	20.5
	560	42.5X42.5	31X31	0.75 +/- 0.15	1042-3-0560-0B-12	69.1	69.1	20.5
	596	40X40	30X30	0.73	1040-3-0596-0B-00	69.1	69.1	20.5
	600	40X40	31X31	0.75	1040-3-0600-0B-00	69.1	69.1	20.5
	600	45X45	35X35	0.60 - 0.90	1045-3-0600-0B-00	69.1	69.1	20.5
	608	40X40	27X27	0.76	1040-3-0608-0B-00	69.1	69.1	20.5
	609	42.5X42.5	33X33	0.75 +/- 0.1	1042-3-0609-0B-10	69.1	69.1	20.5
	625	37.5X37.5	29X29	0.79 +/- 0.05	1037-3-0625-0B-10	69.1	69.1	20.5
	640	37.5X37.5	28X28	0.78	1037-3-0640-0B-10	69.1	69.1	20.5
	643	45X45	34X34	0.787	1045-3-0643-0B-00	69.1	69.1	20.5
	672	40X40	31X31	0.75	1040-3-0672-0B-00	69.1	69.1	20.5
	673	37.5X37.5	29X29	0.75 +/- 0.1	1037-3-0673-0B-10	69.1	69.1	20.5
	686	37.5X37.5	29X29	0.75 +/- 0.15	1037-3-0686-0B-10	69.1	69.1	20.5
	696	45X45	35X35	0.75 +/- 0.15	1045-3-0696-0B-00	69.1	69.1	20.5
	713	40X40	31X31	0.76	1040-3-0713-0B-00	69.1	69.1	20.5
	725	40X40	27X27	0.75 +/- 0.1	1040-3-0725-0B-00	69.1	69.1	20.5
	760	40X40	30X30	0.75 +/- 0.15	1040-3-0760-0B-00	69.1	69.1	20.5
	769	42.5X42.5	33X33	0.76	1042-3-0769-0B-10	69.1	69.1	20.5
	785	37.5X37.5	29X29	0.75 +/- 0.15	1037-3-0785-0B-10	69.1	69.1	20.5
	817	42.5X42.5	33X33	0.76	1042-3-0817-0B-10	69.1	69.1	20.5
	824	42.5X32.5	33X25	0.75 +/- 0.15	1042-3-0824-0B-10	69.1	69.1	20.5
	841	37.5X37.5	29X29	0.75 +/- 0.15	1037-3-0841-0B-10	69.1	69.1	20.5
	900	40X40	30X30	0.75 +/- 0.15	1040-3-0900-0B-00	69.1	69.1	20.5
	957	40X40	31X31	0.75 +/- 0.15	1040-3-0957-0B-00	69.1	69.1	20.5
	961	40X40	31X31	0.76 +/- 0.14	1040-3-0961-0B-00	69.1	69.1	20.5
	976	45X45	34X34	0.75 +/- 0.15	1045-3-0976-0B-00	69.1	69.1	20.5
1024	42.5X42.5	32X32	0.75	1042-3-1024-0B-10	69.1	69.1	20.5	
1072	45X45	34X34	0.7	1045-3-1072-0B-00	69.1	69.1	20.5	
1152	45X45	34X34	0.75 +/- 0.15	1045-3-1152-0B-00	69.1	69.1	20.5	
1156	45X45	34X34	0.75	1045-3-1156-0B-00	69.1	69.1	20.5	
1225	45X45	35X35	0.75	1045-3-1225-0B-00	69.1	69.1	20.5	