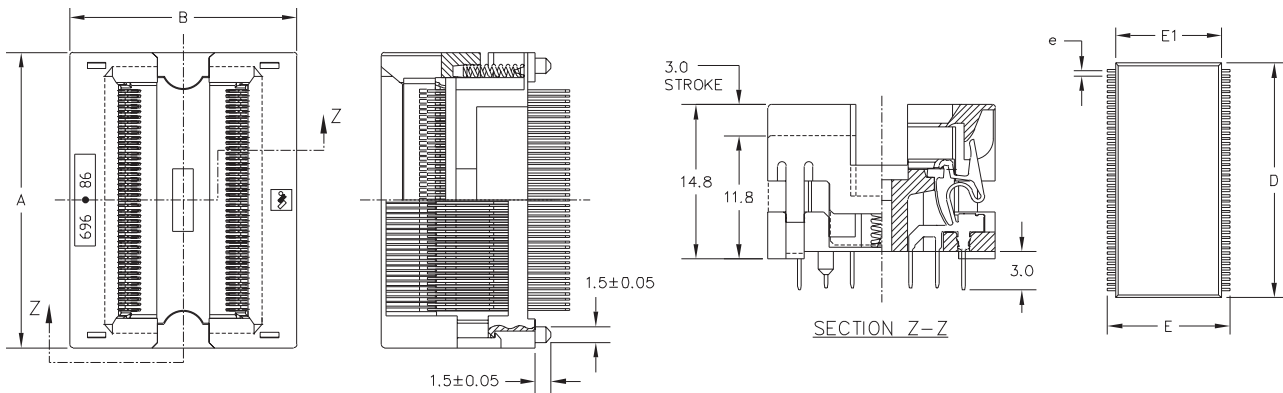


696 Series TSOP-II Socket

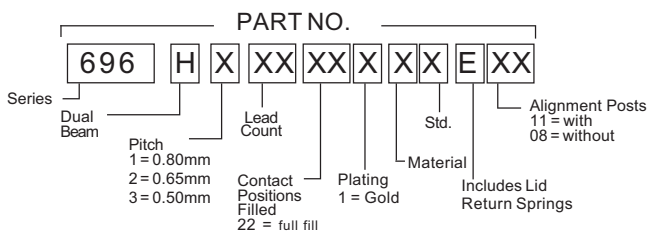
- Open top, Zero Insertion Force designed for automatic loading
- Highly reliable, dual pinch, pre-loaded contacts
- Live bug insertion
- Pinch style contact interface
- For 0.50mm, 0.65mm, and 0.80mm pitch packages



Lead Count	Pitch e (mm)	Package Dimensions (mm)			Part Number	Socket Dimensions (mm)	
		Width (E1)	Lead Tip to Tip (E)	Length (D)		Length (A)	Width (B)
54	0.80	10.20	11.80	22.40	* 696H1542213WE11	28.00	20.20
54	0.80	10.20	11.80	22.40	696H1542213WE08	28.00	20.20
66	0.65	10.20	11.80	22.40	* 696H2662213WE11	28.00	20.20
66	0.65	10.20	11.80	22.40	696H2662213WE08	28.00	20.20
86	0.50	10.16	11.76	22.52	* 696H3862213WE11	28.35	21.80
86	0.50	10.16	11.76	22.52	696H3862213WE08	28.35	21.80

* Includes alignment posts

DESCRIPTION & ORDERING INFORMATION



MATERIALS & SPECIFICATIONS

- Socket Body: PES, PEI, LCP or Equivalent
- Contact: Beryllium Copper Alloy
- Contact Plating: Gold over Nickel
- Contact Normal Force: 40 grams
- Contact Resistance: 50 mΩ
- Dielectric: 300V AC for 1 minute
- Temperature Rating: 150°C
- Insulation Resistance: 5,000 MΩ @ 500V DC
- Durability: 10,000 cycles min.