



REED SENSOR ELS 3 SERIES

■ FEATURES

- Does not require power for operation.
- Omni-polar device - actuates with either pole of magnet.
- Surface mount design.
- Two magnetic sensitivity bands.

■ APPLICATIONS

- Security system
- Control equipment
- Automotive device

■ SPECIFICATIONS

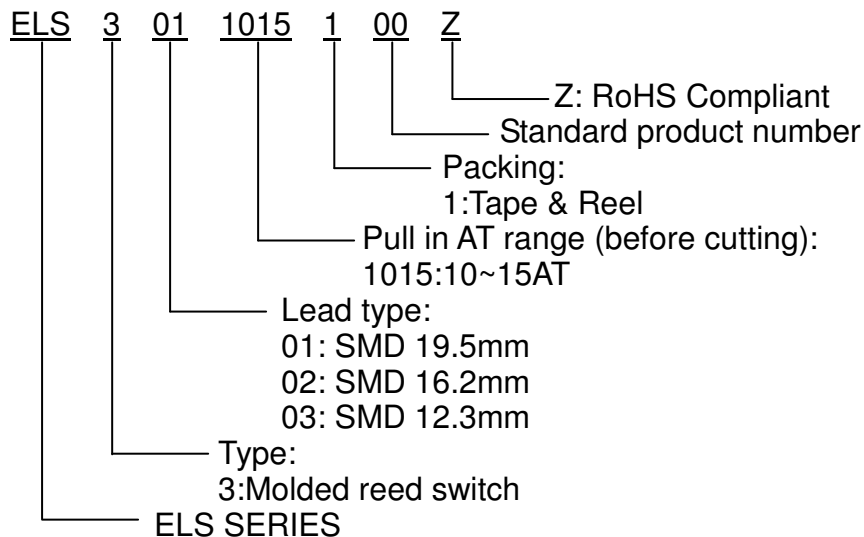
1.ELECTRICAL CHARACTERISTICS

Lead type	ELS301	ELS302	ELS303
Contact form	1A	1A	1A
Pull-in Value (AT range before cutting)	10~30AT	10~30AT	10~20AT
Drop-out Value	5AT min.	5AT min.	5AT min.
Contact resistance	100mΩ max.	120mΩ max.	200mΩ max.
Breakdown voltage	250Vdc min.	200Vdc min.	150Vdc min.
Insulation resistance	10 ¹⁰ Ω min.	10 ⁹ Ω min.	10 ⁹ Ω min.
Electrostatic capacitance	0.3pF max.	0.3pF max.	0.4pF max.
Contact rating	10W	10W	1W
Maximum switching voltage	200Vdc	100Vdc	24Vdc
Maximum switching current	0.5A	0.5A	0.1A
Maximum carry current	1.0A	0.5A	0.3A

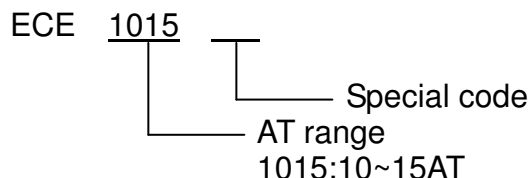
2. OPERATING CHARACTERISTICS

Lead type	ELS301	ELS302	ELS303
Operate time	0.4ms max.	0.4ms max.	0.3ms max.
Bounce time	0.3ms max.	0.3ms max.	0.3ms max.
Release time	0.05ms max.	0.05ms max.	0.05ms max.
Shock resistance	100G	30G	30G
Vibration resistance	50G (10~2000Hz)	20G (10~2000Hz)	20G(10~2000Hz)
Temperature range	-40~+125°C	-40~+125°C	-40~+125°C
Solderability	245°C for 5 seconds	245°C for 5 seconds	245°C for 5 seconds
Life expectancy (typ.) (5Vdc-1mA, Resistive load)	1x10 ⁸	1x10 ⁸	1x10 ⁷

■ PART NUMBER SYSTEM



■ MARKING SYSTEM



*ELS302 series without "ECE", ELS303 series no marking.

ELS 301



ELS 302

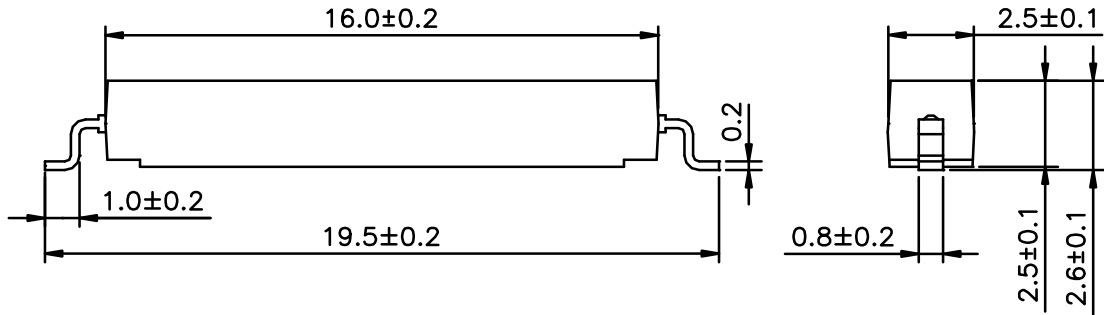


ELS 303

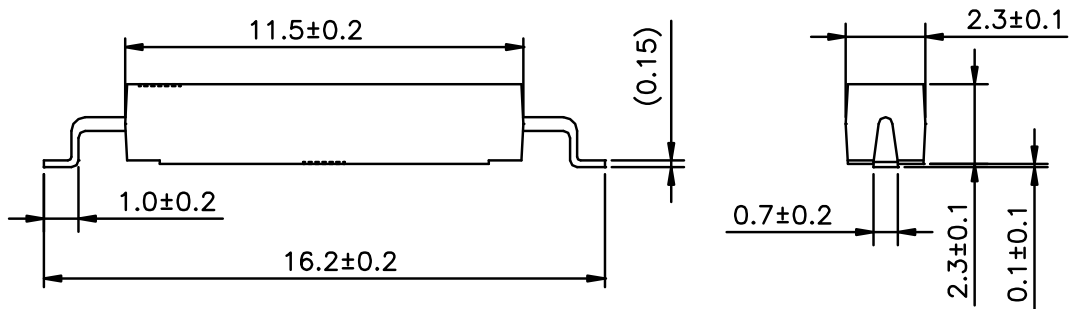


■ DIMENSIONS UNIT:mm

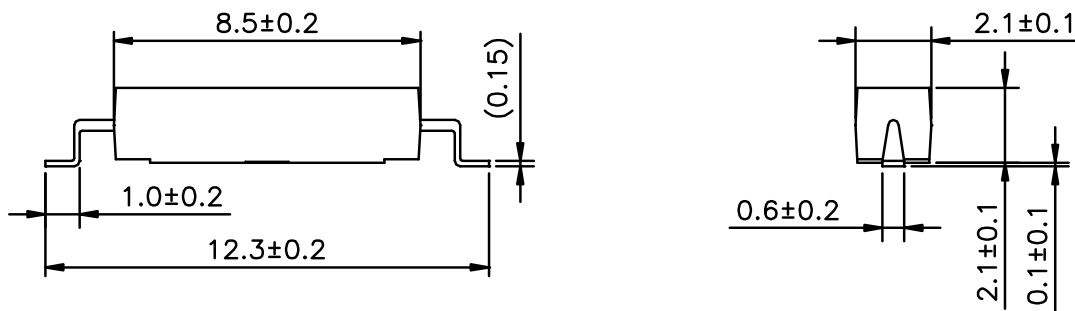
ELS301 SERIES



ELS302 SERIES

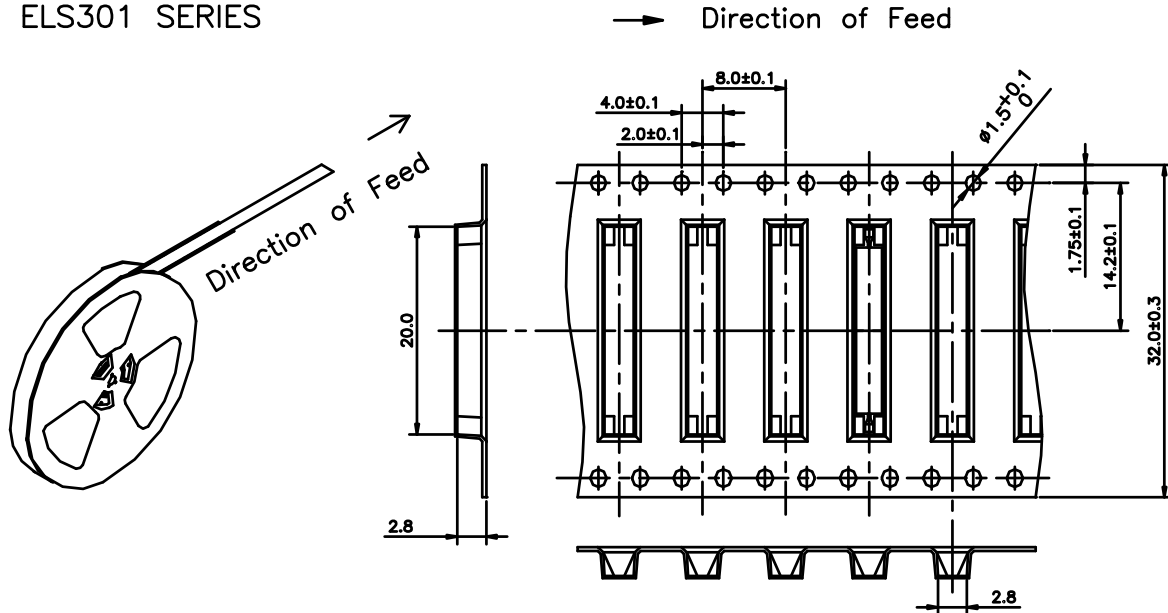


ELS303 SERIES



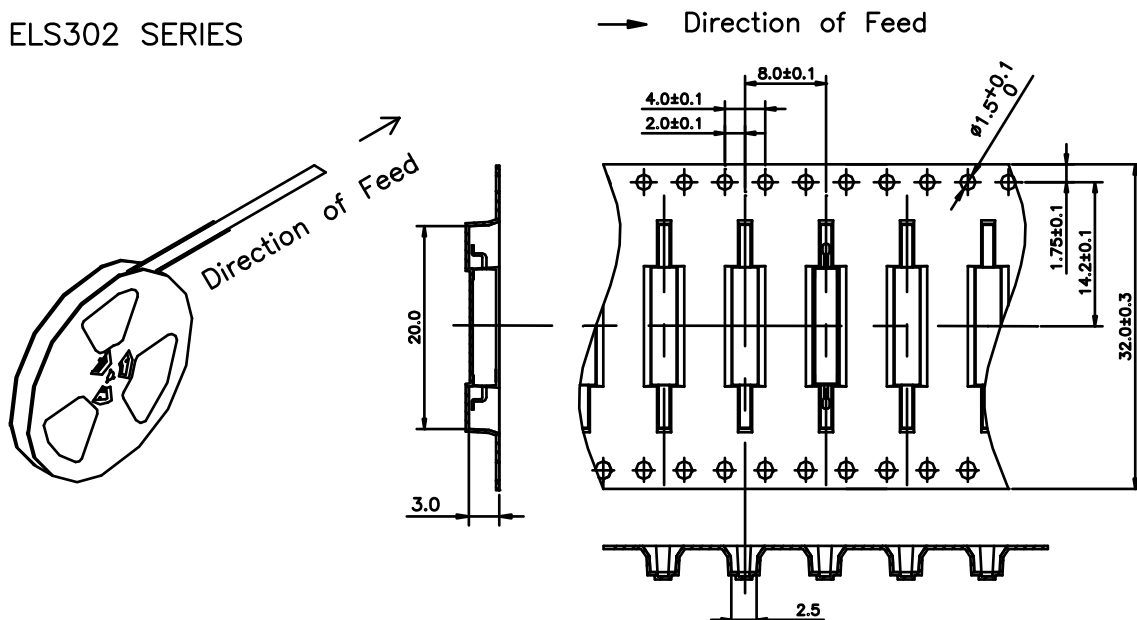
■ Tape and reel specifications Dimensions UNIT:mm

ELS301 SERIES



1. 10 sprocket hole pitch cumulative tolerance $\pm 0.2\text{mm}$
2. Material: Black Conductive Polystyrene Sheet
3. All dimensions meet EIA-481 requirements
4. Thickness: $0.4 \pm 0.05\text{mm}$
5. Component load per 13" Reel: 3000 pcs.

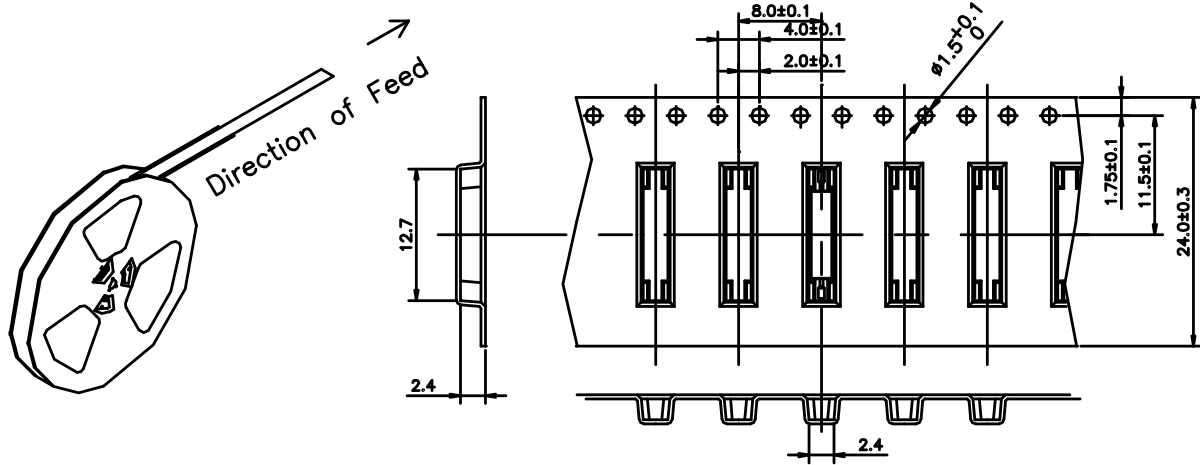
ELS302 SERIES



1. 10 sprocket hole pitch cumulative tolerance $\pm 0.2\text{mm}$
2. Material: Black Conductive Polystyrene Sheet
3. All dimensions meet EIA-481 requirements
4. Thickness: $0.4 \pm 0.05\text{mm}$
5. Component load per 13" Reel: 3000 pcs.

ELS303 SERIES

→ Direction of Feed



1. 10 sprocket hole pitch cumulative tolerance ± 0.2 mm
2. Material: Black Conductive Polystyrene Sheet
3. All dimensions meet EIA-481 requirements
4. Thickness: 0.4 ± 0.05 mm
5. Component load per 13" Reel: 3000 pcs.