



| 716 SERIES

SOCKETS FOR QFN/LGA PACKAGES



Features

- Open Top
- Compression Surface Mount
- Spring and probe contact
- Pointed probe contacts DUT pad
- Pointed probe maintains continuous contact to PCB
- Spring loaded floating locater plate
- Any pitch or pitch combination .4mm and greater
- Threaded inserts available

Available with high performance pin



SPECIFICATIONS

Materials and Specifications

Body Materials	PEI, PES, or Equivalent
Contact Material	Beryllium Copper Alloy
Contact Plating	Gold over Nickel
Contact Force	12-15 grams average
Contact Resistance	350 mΩ typical
Temperature Rating	Burn-in 125°C Higher Temperatures, consult factory
Durability	10,000 cycles min.

Pitch e (mm)	Maximum Lead Count	Minimum Body Size	Maximum Body Size	Maximum Matrix
0.50	200	2.5 x 2.5	12 x 14	22 x 22
0.65	200	2.5 x 2.5	12 x 14	21 x 21
1.00	121	2.5 x 2.5	12 x 14	11 x 11

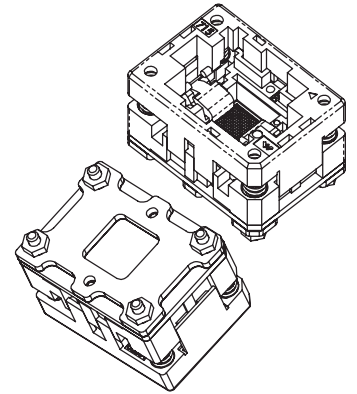
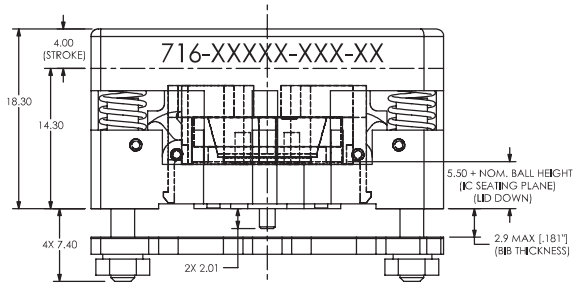
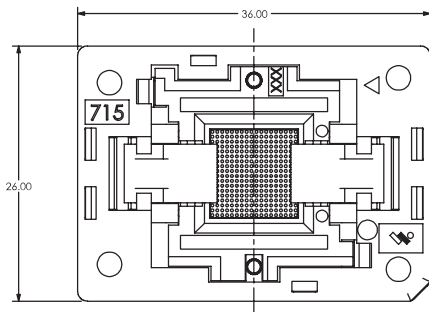
For all other pitches, see next page

Pitch e (mm)	Package Size (mm)	Matrix	Part Number
0.50	5x5	9x9	716-06505-500-XX
	6X6	10X10	716-05606B5XX-XX
	7.7X9	10X4	716-04009A500-XX
	8X8	14X14	716-10808-500-XX
	8X8	14X14	716-12008-500-XX
	8X8	14X14	716-12408-500-XX
	8X8	13X13	716-12808-500-XX
	8X8	14X14	716-13208-500-XX
	8X8	13X13	716-14408-500-XX
	8X8	15X15	716-14408-500-XX
	9X7.7	4X10	716-04009A500-XX
	9X9	16X16	716-12809-5XX-XX
	9X9	16X16	716-14809-5)0(-XX
	0.65	9X6	12X8
0.80	10X14	8X12	716-07214A800-XX
	6.4X10.9	5X11	716-04510A80X-XX
	8X14	8X12	716-07214B800-XX
0.90	12X12	6X2	716-03612-W00-XX-01



DIMENSIONS AND DIAGRAMS

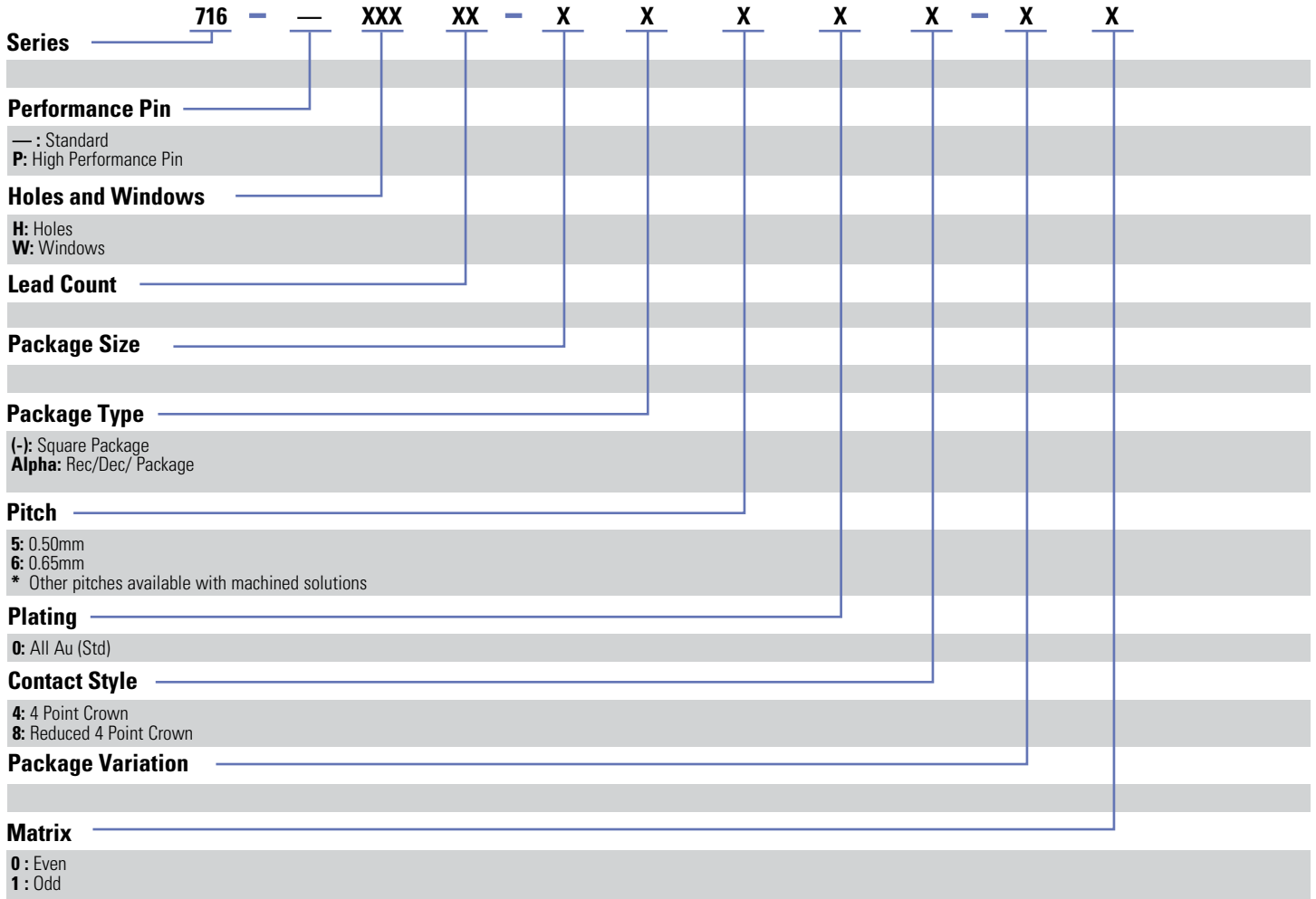
Dimensions in mm (inches)





DESCRIPTION & ORDERING INFO

Example : 716 - - X XXX XX X X X X - X X



Revised 02/06/18

Sensata Technologies, Inc. ("Sensata") data sheets are solely intended to assist designers ("Buyers") who are developing systems that incorporate Sensata products (also referred to herein as "components"). Buyer understands and agrees that Buyer remains responsible for using its independent analysis, evaluation and judgment in designing Buyer's systems and products. Sensata data sheets have been created using standard laboratory conditions and engineering practices. Sensata has not conducted any testing other than that specifically described in the published documentation for a particular data sheet. Sensata may make corrections, enhancements, improvements and other changes to its data sheets or components without notice.

Buyers are authorized to use Sensata data sheets with the Sensata component(s) identified in each particular data sheet. HOWEVER, NO OTHER LICENSE, EXPRESS OR IMPLIED, BY ESTOPPEL OR OTHERWISE TO ANY OTHER SENSATA INTELLECTUAL PROPERTY RIGHT, AND NO LICENSE TO ANY THIRD PARTY TECHNOLOGY OR INTELLECTUAL PROPERTY RIGHT, IS GRANTED HEREIN. SENSATA DATA SHEETS ARE PROVIDED "AS IS". SENSATA MAKES NO WARRANTIES OR REPRESENTATIONS WITH REGARD TO THE DATA SHEETS OR USE OF THE DATA SHEETS, EXPRESS, IMPLIED OR STATUTORY, INCLUDING ACCURACY OR COMPLETENESS. SENSATA DISCLAIMS ANY WARRANTY OF TITLE AND ANY IMPLIED WARRANTIES OF MERCHANTABILITY, FITNESS FOR A PARTICULAR PURPOSE, QUIET ENJOYMENT, QUIET POSSESSION, AND NON-INFRINGEMENT OF ANY THIRD PARTY INTELLECTUAL PROPERTY RIGHTS WITH REGARD TO SENSATA DATA SHEETS OR USE THEREOF.

All products are sold subject to Sensata's terms and conditions of sale supplied at www.sensata.com SENSATA ASSUMES NO LIABILITY FOR APPLICATIONS ASSISTANCE OR THE DESIGN OF BUYERS' PRODUCTS. BUYER ACKNOWLEDGES AND AGREES THAT IT IS SOLELY RESPONSIBLE FOR COMPLIANCE WITH ALL LEGAL, REGULATORY AND SAFETY-RELATED REQUIREMENTS CONCERNING ITS PRODUCTS, AND ANY USE OF SENSATA COMPONENTS IN ITS APPLICATIONS, NOTWITHSTANDING ANY APPLICATIONS-RELATED INFORMATION OR SUPPORT THAT MAY BE PROVIDED BY SENSATA.

Mailing Address: Sensata Technologies, Inc., 529 Pleasant Street, Attleboro, MA 02703, USA.

CONTACT US

Americas

480.682.6148 or 480.681.6116