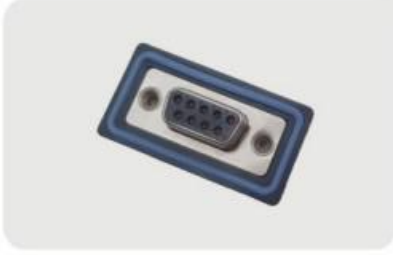


专业生产大电流，防水，无磁等连接器，连接线

Specializing in the production of high current, waterproof, non-magnetic connectors, connecting lines



**HONESTY CREATES QUALITY  
INNOVATION LEADS THE FUTURE**

诚信铸就品质， 创新引领未来



# 企业文化 CORPORATE CULTURE



## 经营理念

诚信、共赢、感恩

## 质量方针

全员品管，优质服务，提供客户满意产品预防为主，持续改善，向零缺点目标迈进

## 环境方针

预防为主，遵守法规，提供环保产品；  
全员参与，持续减废，合理利用资源

## MANAGEMENT IDEA

Honesty, win-win and gratitude

## QUALITY POLICY

Full quality control, quality service, customer satisfaction, product prevention, continuous improvement, zero defect goal

## ENVIRONMENTAL POLICY

Prevention first, comply with laws and regulations, provide environmental protection products; full participation, continuous waste reduction, rational use of resources

# 企业理念 CORPORATE PHILOSOPHY

## 诚信铸就品质，创新引领未来

以模具技术冲压产品为基础为客户高品质、高效率服务，为员工创造物质和精神双幸福；  
为企业创造百年品牌；为客户创造财富；发展做出贡献。  
基础，推动连接器产业的发展；

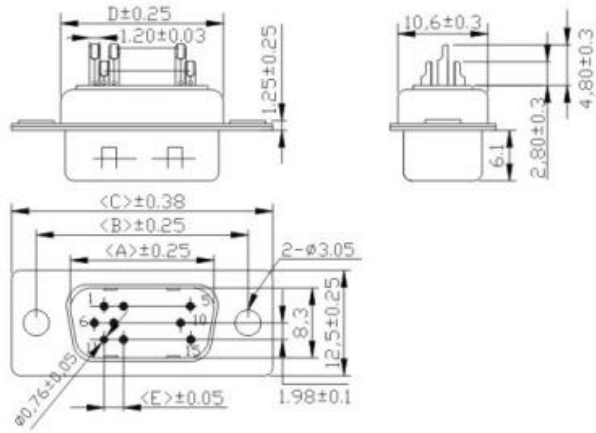
## HONESTY CREATES QUALITY, INNOVATION LEADS THE FUTURE

Based on die technology stamping products, provide high quality and efficient service for customers, and create material and spiritual happiness for employees;

To create a century old brand for enterprises, to create wealth for customers and to make contributions to development.

To promote the development of connector industry;

**D-SUB HD 传统公焊线式 / D-SUB HD Traditional Male Bonding Wire Type**



**Material & finish**

SHELL : steel Zinc plated, Tin plated or Nickel plated steel

PIN CONTACT: Phosphor bronze or brass Gold Plated

INSULATOR: PBT & Glass- fibre reinforced UL-94-VO

NUMBER OF CONTACT: 15 26 44 62

CURRENT RATING: 3Amp

INSULATOR RESISTANCE: 1000Mn MIN. (at 500V DC)

TEMPERATURE: -55°C to +105°C

HD-X P X V X X X A 0 0

Pin: 15 26 44 62

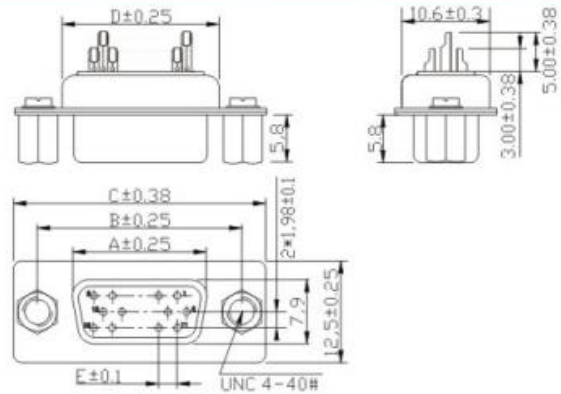
COLOUR  
B: Blue K: Black W: White  
2: 661C blue 3: 235C  
Red 4: 322C green  
6: 131C Yellow

SHELL PLATING  
A: Gold B: Front Gold and back Tin  
C: Front Nickel and Back TIN  
N: Nickel T: Tin 5: Zinc D: CU/ZN/5N  
F: Front Nickel 48H and Back Three layers of TIN

Contact Finish  
A: Gold Flash C: Gold Flash3U<sup>®</sup> D: Gold Flash5U<sup>®</sup>  
E: Gold Flash15U<sup>®</sup> F: Gold Flash30U<sup>®</sup> G: Gold T: Tin

	A	B	C	D	E
15	16.9	25.0	30.8	19.0	2.29
26	25.35	33.3	39.2	27.7	2.29
44	39.0	47.0	53.0	41.0	2.29
62	55.4	63.5	69.4	57.3	2.41

**D-SUB HD 传统母焊线式前铆螺母 / D-SUB HD Traditional Female Welding Wire Type Front Rivet Nut**



**Material & finish**

SHELL : steel Zinc plated, Tin plated or Nickel plated steel

PIN CONTACT: Phosphor bronze or brass Gold Plated

INSULATOR: PBT & Glass- fibre reinforced UL-94-VO

NUMBER OF CONTACT: 15 26 44 62

CURRENT RATING: 3Amp

INSULATOR RESISTANCE: 1000Mn MIN. (at 500V DC)

TEMPERATURE: -55°C to +105°C

HD-X S X V X X X D 0 0

Pin: 15 26 44 62

COLOUR  
B: Blue K: Black W: White  
2: 661C blue 3: 235C  
Red 4: 322C green  
6: 131C Yellow

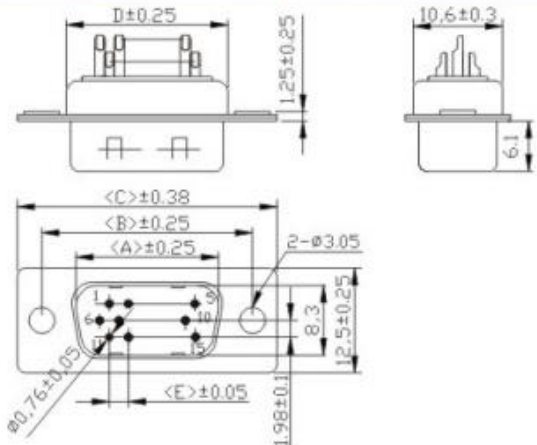
SHELL PLATING  
A: Gold B: Front Gold and back Tin  
C: Front Nickel and Back TIN  
N: Nickel T: Tin 5: Zinc D: CU/ZN/5N

Contact Finish  
A: Gold Flash C: Gold Flash3U<sup>®</sup> D: Gold Flash5U<sup>®</sup>  
E: Gold Flash15U<sup>®</sup> F: Gold Flash30U<sup>®</sup> G: Gold T: Tin

	A	B	C	D	E
15	16.25	25.0	30.8	19.0	2.29
26	24.8	33.3	39.2	27.7	2.29
44	38.3	47.0	53.0	41.0	2.29
62	54.8	63.5	69.4	57.3	2.41



**D-SUB HD 公头焊线式车针 / D-SUB HD male wire welding pin**



**Material & finish**

- SHELL : steel Zinc plated, Tin plated or Nickel plated steel
- PIN CONTACT: Phosphor bronze or brass Gold Plated
- INSULATOR: PBT & Glass- fibre reinforced UL-94-VO
- NUMBER OF CONTACT: 15 26 44 62
- CURRENT RATING: 5Amp
- INSULATOR RESISTANCE: 1000MΩ MIN. (at 500V DC)
- TEMPERATURE: -55°C to +105°C

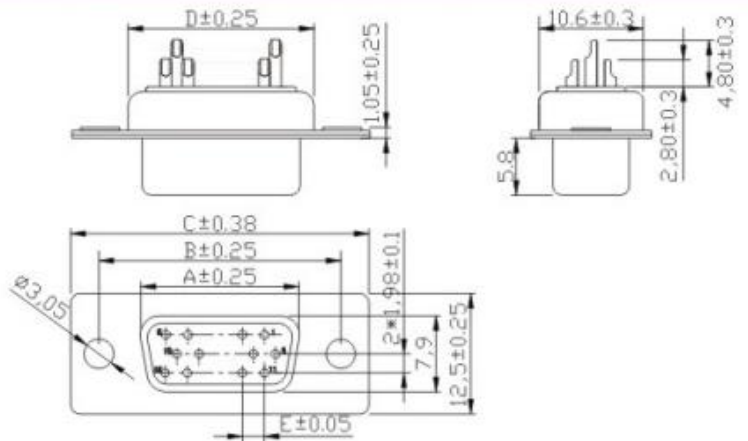
HD-X B X V X X X A 0 0

Pin: 15 26 44 62  
 COLOUR  
 B: Blue K: Black W: White  
 2: 661C blue 3: 235C  
 Red 4: 322C green  
 6: 131C Yellow

SHELL PLATING  
 A: Gold B: Front Gold and back Tin  
 C: Front Nickel and Back TIN  
 N: Nickel T: Tin 5: Zinc D: CU/ZNSN  
 Contact Finish  
 A:Gold Flash C: Gold Flash3U\* D: Gold Flash5U\*  
 E:Gold Flash15U\* F:Gold Flash30U\* G:Gold T: Tin

	A	B	C	D	E
15	16.9	25.0	30.8	19.0	2.29
26	25.35	33.3	39.2	27.7	2.29
44	39.0	47.0	53.0	41.0	2.29
62	55.4	63.5	69.4	57.3	2.41

**D-SUB HD 母头焊线式车针 / D-SUB HD female wire welding pin**



**Material & finish**

- SHELL : steel Zinc plated, Tin plated or Nickel plated steel
- PIN CONTACT: Phosphor bronze or brass Gold Plated
- INSULATOR: PBT & Glass- fibre reinforced UL-94-VO
- NUMBER OF CONTACT: 15 26 44 62
- CURRENT RATING: 5Amp
- INSULATOR RESISTANCE: 1000MΩ MIN. (at 500V DC)
- TEMPERATURE: -55°C to +105°C

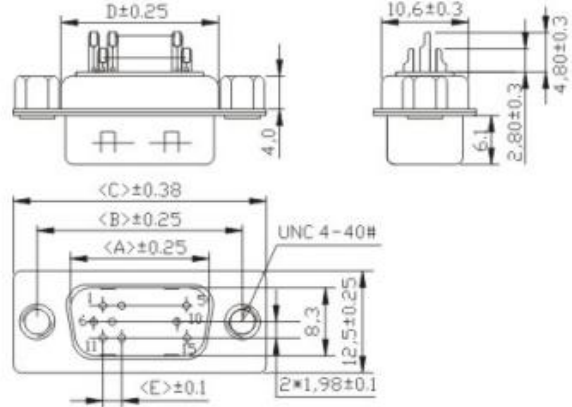
HD-X A X V X X X A 0 0

Pin: 15 26 44 62  
 COLOUR  
 B: Blue K: Black W: White  
 2: 661C blue 3: 235C  
 Red 4: 322C green  
 6: 131C Yellow

SHELL PLATING  
 A: Gold B: Front Gold and back Tin  
 C: Front Nickel and Back TIN  
 N: Nickel T: Tin 5: Zinc D: CU/ZNSN  
 Contact Finish  
 A:Gold Flash C: Gold Flash3U\* D: Gold Flash5U\*  
 E:Gold Flash15U\* F:Gold Flash30U\* G:Gold T: Tin

	A	B	C	D	E
15	16.25	25.0	30.8	19.0	2.29
26	24.8	33.3	39.2	27.7	2.29
44	38.3	47.0	53.0	41.0	2.29
62	54.8	63.5	69.4	57.3	2.41

**D-SUB HD 公头后铆螺母 / D-SUB HD male rear rivet nut**



**Material & finish**

SHELL : steel Zinc plated, Tin plated or Nickel plated steel

PIN CONTACT: Phosphor bronze or brass Gold Plated

INSULATOR: PBT & Glass- fibre reinforced UL-94-VO

NUMBER OF CONTACT: 15 26 44 62

CURRENT RATING: 3Amp

INSULATOR RESISTANCE: 1000Mn MIN. (at 500V DC)

TEMPERATURE: -55°C to +105°C

**HD-X P X V X X X B 0 0**

Pin: 15 26 44 62

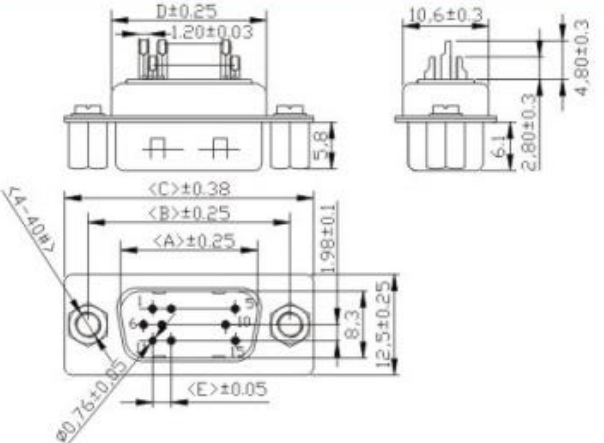
COLOUR  
B: Blue K: Black W: White  
2: 661C blue 3: 235C  
Red 4: 322C green  
6: 131C Yellow

SHELL PLATING  
A: Gold B: Front Gold and back Tin  
C: Front Nickel and Back TIN  
N: Nickel T: Tin 5: Zinc D: CU/ZNSN

Contact Finish  
A: Gold Flash C: Gold Flash3U" D: Gold Flash5U"  
E: Gold Flash15U" F: Gold Flash30U" G: Gold T: Tin

	A	B	C	D	E
15	16.9	25.0	30.8	19.0	2.29
26	25.35	33.3	39.2	27.7	2.29
44	39.0	47.0	53.0	41.0	2.29
62	55.4	63.5	69.4	57.3	2.41

**D-SUB HD 公头焊线式前铆螺母 / D-SUB HD male welding wire type front rivet nut**



**Material & finish**

SHELL : steel Zinc plated, Tin plated or Nickel plated steel

PIN CONTACT: Phosphor bronze or brass Gold Plated

INSULATOR: PBT & Glass- fibre reinforced UL-94-VO

NUMBER OF CONTACT: 15 26 44 62

CURRENT RATING: 3Amp

INSULATOR RESISTANCE: 1000Mn MIN. (at 500V DC)

TEMPERATURE: -55°C to +105°C

**HD-X P X X X X X D 0 0**

Pin: 15 26 44 62

COLOUR  
B: Blue K: Black W: White  
2: 661C blue 3: 235C  
Red 4: 322C green  
6: 131C Yellow

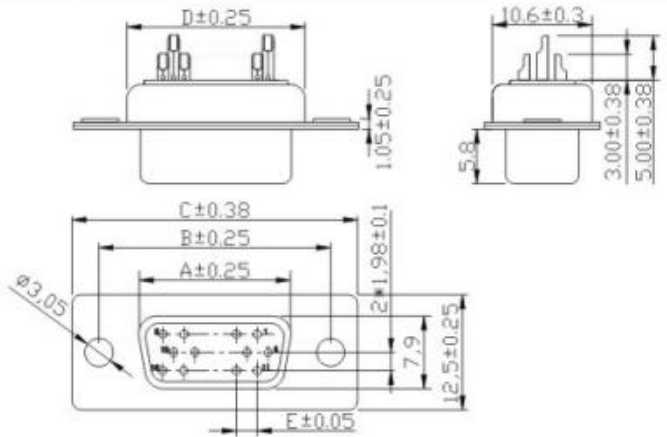
SHELL PLATING  
A: Gold B: Front Gold and back Tin  
C: Front Nickel and Back TIN  
N: Nickel T: Tin 5: Zinc D: CU/ZNSN

Contact Finish  
A: Gold Flash C: Gold Flash3U" D: Gold Flash5U"  
E: Gold Flash15U" F: Gold Flash30U" G: Gold T: Tin

	A	B	C	D	E
15	16.9	25.0	30.8	19.0	2.29
26	25.35	33.3	39.2	27.7	2.29
44	39.0	47.0	53.0	41.0	2.29



**D-SUB HD 母头焊线式 / D-SUB HD female wire bonding**



HD-X S X V X X X A 0 0

Pin: 15 26 44 62

COLOUR  
 B: Blue K: Black W: White  
 2: 661C blue 3: 235C  
 Red 4: 322C green  
 6: 131C Yellow

SHELL PLATING  
 A: Gold B: Front Gold and back Tin  
 C: Front Nickel and Back TIN  
 N: Nickel T: Tin 5: Zinc D: CU/ZNSN

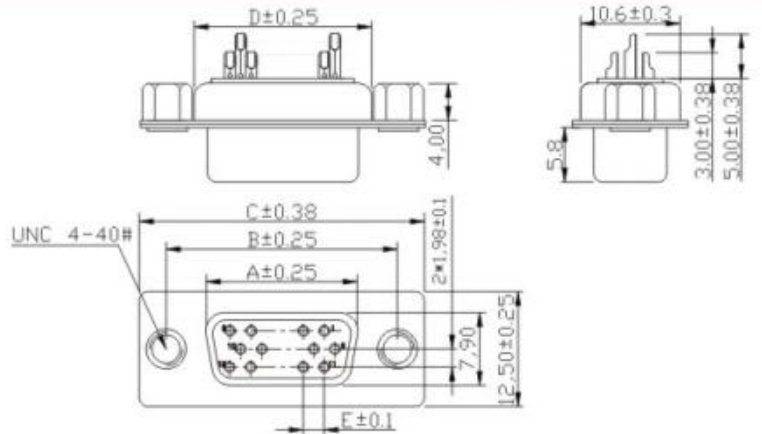
Contact Finish  
 A: Gold Flash C: Gold Flash3U\* D: Gold Flash5U\*  
 E: Gold Flash15U\* F: Gold Flash30U\* G: Gold T: Tin

	A	B	C	D	E
15	16.25	25.0	30.8	19.0	2.29
26	24.8	33.3	39.2	27.7	2.29
44	38.3	47.0	53.0	41.0	2.29
62	54.8	63.5	69.4	57.3	2.41

**Material & finish**

- SHELL : steel Zinc plated, Tin plated or Nickel plated steel
- PIN CONTACT: Phosphor bronze or brass Gold Plated
- INSULATOR: PBT & Glass- fibre reinforced UL-94-VO
- NUMBER OF CONTACT: 15 26 44 62
- CURRENT RATING: 3Amp
- INSULATOR RESISTANCE: 1000Mn MIN. (at 500V DC)
- TEMPERATURE: -55°C to +105°C

**D-SUB HD 母头后铆螺母焊线式 / D-SUB HD female back rivet nut welding wire type**



HD-X S X V X X X B 0 0

Pin: 15 26 44 62

COLOUR  
 B: Blue K: Black W: White  
 2: 661C blue 3: 235C  
 Red 4: 322C green  
 6: 131C Yellow

SHELL PLATING  
 A: Gold B: Front Gold and back Tin  
 C: Front Nickel and Back TIN  
 N: Nickel T: Tin 5: Zinc D: CU/ZNSN

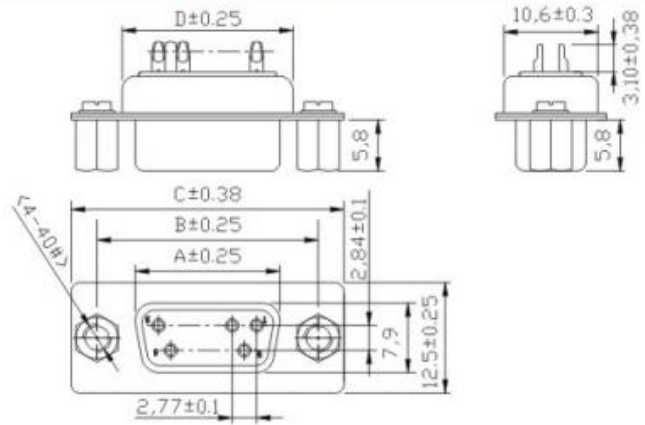
Contact Finish  
 A: Gold Flash C: Gold Flash3U\* D: Gold Flash5U\*  
 E: Gold Flash15U\* F: Gold Flash30U\* G: Gold T: Tin

	A	B	C	D	E
15	16.25	25.0	30.8	19.0	2.29
26	24.8	33.3	39.2	27.7	2.29
44	38.3	47.0	53.0	41.0	2.29
62	54.8	63.5	69.4	57.3	2.41

**Material & finish**

- SHELL : steel Zinc plated, Tin plated or Nickel plated steel
- PIN CONTACT: Phosphor bronze or brass Gold Plated
- INSULATOR: PBT & Glass- fibre reinforced UL-94-VO
- NUMBER OF CONTACT: 15 26 44 62
- CURRENT RATING: 3Amp
- INSULATOR RESISTANCE: 1000Mn MIN. (at 500V DC)
- TEMPERATURE: -55°C to +105°C

**D-SUB 母头焊线式前铆螺母 / D-SUB female welding wire type front rivet nut**



**Material & finish**

SHELL : steel Zinc plated, Tin plated or Nickel plated steel

PIN CONTACT: Phosphor bronze or brass Gold Plated

INSULATOR: PBT & Glass- fibre reinforced UL-94-VO

NUMBER OF CONTACT: 09 15 25 37

CURRENT RATING: 3Amp

INSULATOR RESISTANCE: 1000Mn MIN. (at 500V DC)

TEMPERATURE: -55°C to +105°C

DB-X S X V X X X D 0 0

Pin: 09 15 25 37

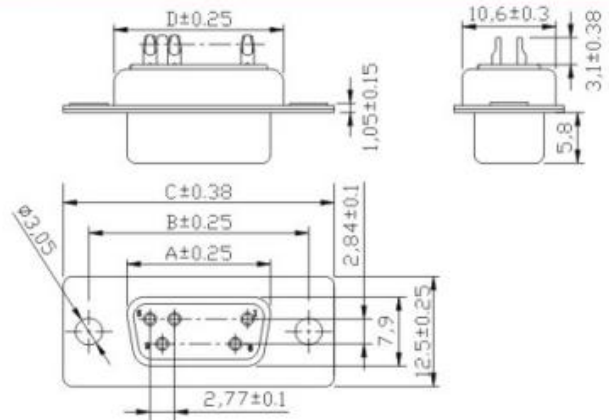
COLOUR  
B: Blue K: Black W: White  
2: 661C blue 3: 235C  
Red 4: 322C green  
6: 131C Yellow

SHELL PLATING  
A: Gold B: Front Gold and back Tin  
C: Front Nickel and Back TIN  
N: Nickel T: Tin 5: Zinc D: CU/ZN/SN

Contact Finish  
A: Gold Flash C: Gold Flash3U<sup>o</sup> D: Gold Flash5U<sup>o</sup>  
E: Gold Flash15U<sup>o</sup> F: Gold Flash30U<sup>o</sup> G: Gold T: Tin

	A	B	C	D
09	16.25	25.0	30.8	19.0
15	24.8	33.3	39.2	27.7
25	38.3	47.0	53.0	41.0
37	54.8	63.5	69.4	57.3

**D-SUB 母头焊线式 / D-SUB female welding wire type**



**Material & finish**

SHELL : steel Zinc plated, Tin plated or Nickel plated steel

PIN CONTACT: Phosphor bronze or brass Gold Plated

INSULATOR: PBT & Glass- fibre reinforced UL-94-VO

NUMBER OF CONTACT: 09 15 25 37

CURRENT RATING: 3Amp

INSULATOR RESISTANCE: 1000Mn MIN. (at 500V DC)

TEMPERATURE: -55°C to +105°C

DB-X S X V X X X D 0 0

Pin: 09 15 25 37

COLOUR  
B: Blue K: Black W: White  
2: 661C blue 3: 235C Red  
4: 322C green 6: 131C  
Yellow 7: Purple 235C

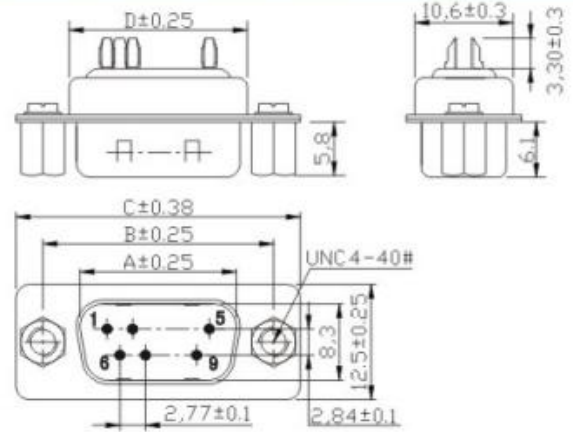
SHELL PLATING  
A: Gold B: Front Gold and back Tin  
C: Front Nickel and Back TIN  
N: Nickel T: Tin 5: Zinc D: CU/ZN/SN

Contact Finish  
A: Gold Flash C: Gold Flash3U<sup>o</sup> D: Gold Flash5U<sup>o</sup>  
E: Gold Flash15U<sup>o</sup> F: Gold Flash30U<sup>o</sup> G: Gold T: Tin

	A	B	C	D
09	16.25	25.0	30.8	19.0
15	24.8	33.3	39.2	27.7
25	38.3	47.0	53.0	41.0
37	54.8	63.5	69.4	57.3



**D-SUB 公头焊线式前铆螺母 / D-SUB male wire welded front rivet nut**



**Material & finish**

- SHELL : steel Zinc plated, Tin plated or Nickel plated steel
- PIN CONTACT: Phosphor bronze or brass Gold Plated
- INSULATOR: PBT & Glass- fibre reinforced UL-94-VO
- NUMBER OF CONTACT: 09 15 25 37
- CURRENT RATING: 3Amp
- INSULATOR RESISTANCE: 1000Mn MIN. (at 500V DC)
- TEMPERATURE: -55°C to +105°C

DB-X M X V X X X D 0 0

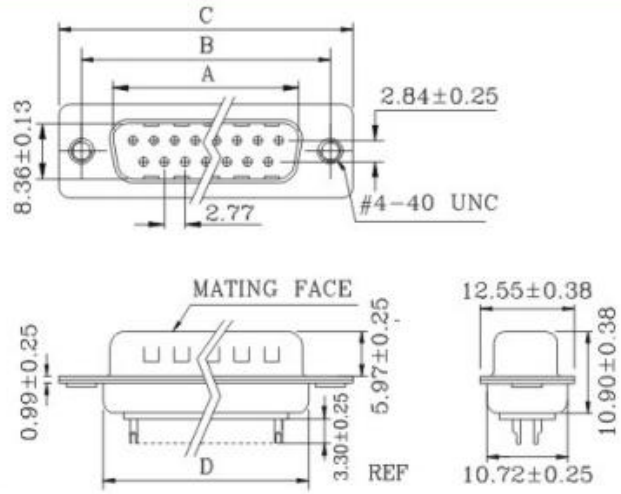
Pin: 09 15 25 37  
 COLOUR  
 B: Blue K: Black W: White  
 2: 661C blue 3: 235C  
 Red 4: 322C green  
 6: 131C Yellow

SHELL PLATING  
 A: Gold B: Front Gold and back Tin  
 C: Front Nickel and Back TIN  
 N: Nickel T: Tin 5: Zinc D: CU/ZNSN

Contact Finish  
 A: Gold Flash C: Gold Flash3U\* D: Gold Flash5U\*  
 E: Gold Flash15U\* F: Gold Flash30U\* G: Gold T: Tin

	A	B	C	D
09	16.9	25.0	30.8	19.0
15	25.35	33.3	39.2	27.7
25	39.0	47.0	53.0	41.0
37	55.4	63.5	69.4	57.3

**D-SUB 公头焊线式车针 / D-SUB male wire welding pin**



**Material & finish**

- SHELL : STEEL MATERIAL, FRONT NICKEL FINISHED BACK SHELL TIN FINISHED
- INSULATOR : PBT THERMOPLASTIC, 30% GLASS FILLED, UL 94V-0 RATED, BLACK COLOR
- CONTACT MATERIAL : BRASS
- CONTACT FINISH : FULL GOLD FINISHED WITH #4-40 THREADED RIVETS

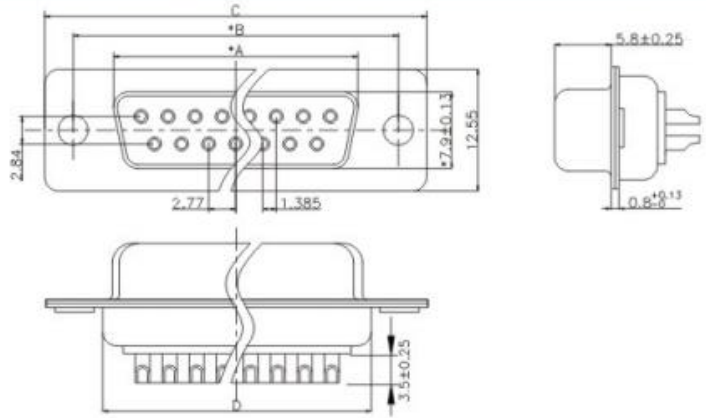
**ELECTRICAL CHARACTERISTICS**

- CONTACT CURRENT RATING : 5.0 AMPS
- CONTACT RESISTANCE : 30 MILI OHMS MAX.
- DIELECTRIC WITHSTANDING VOLTAGE : 1000 V AC MIN.
- INSULATION RESISTANCE : 5000 MEGAOHMS MIN.
- TEMPERATURE RATING : - 55°C ~ +105°C

PART NO(x)	A±0.25	B±0.13	C±0.38	D±0.25
09	16.92	24.99	30.81	19.28
15	25.25	33.32	39.14	27.51
25	38.96	47.04	53.04	41.28
37	55.42	63.50	69.32	57.71



**D-SUB 母头焊线式车针 / D-SUB female welding wire type pin**



DB-X A X V X X X A 0 0

Pin: 09 15 25 37

COLOUR  
B: Blue K: Black W: White  
2: 661C blue 3: 235C  
Red 4: 322C green  
6: 131C Yellow

SHELL PLATING  
A: Gold B: Front Gold and back Tin  
C: Front Nickel and Back TIN  
N: Nickel T: Tin 5: Zinc D: CU/ZNSN

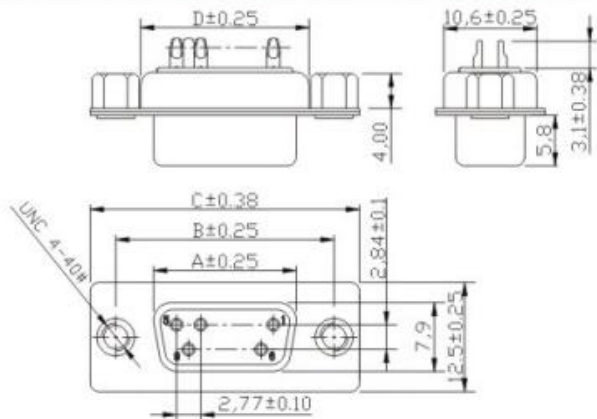
Contact Finish  
A: Gold Flash C: Gold Flash3U<sup>®</sup> D: Gold Flash5U<sup>®</sup>  
E: Gold Flash15U<sup>®</sup> F: Gold Flash30U<sup>®</sup> G: Gold T: Tin

**Material & finish**

DI ELECTRIC RATING: 300V  
CONTACT CURRENT RATING: 5AMP  
CONTACT RESISTANCE: 15mΩ MAX.  
INSULATION RESISTANCE: 1000MQ MIN. at 500V DC  
DI ELECTRIC STRENGTH: 500V AC RMS for 1 Minute  
OPERATION TEMPERATURE: - 55°C ~ 125°C  
INSULATOR: PBT+30% G. F (UL94V-0)  
CONTACT: COPPER ALLOY  
CONTACT PLATED: GOLD FLASH OVER NICKEL  
SHELL: SPCC  
SHELL PLATED: NICKEL/TIN

PO(XXX)	A±0.25	B±0.13	C±0.38	D±0.25
09	16.33	24.99	30.81	19.28
15	24.66	33.32	39.14	27.51
25	38.38	47.04	53.04	41.28
37	54.84	63.50	69.32	57.71

**D-SUB 母头焊线式后铆螺母 / D-SUB female welding wire type back rivet nut**



DS1-X S X V X X X A 0 0

Pin: 09 15 25 37

COLOUR  
B: Blue K: Black W: White  
2: 661C blue 3: 235C  
Red 4: 322C green  
6: 131C Yellow

SHELL PLATING  
A: Gold B: Front Gold and back Tin  
C: Front Nickel and Back TIN  
N: Nickel T: Tin 5: Zinc D: CU/ZNSN

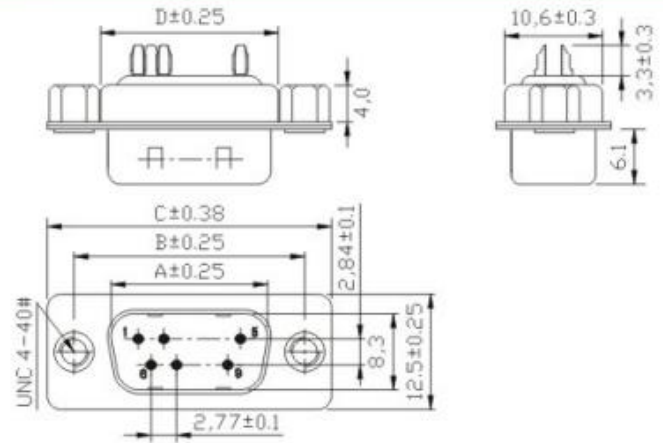
Contact Finish  
A: Gold Flash C: Gold Flash3U<sup>®</sup> D: Gold Flash5U<sup>®</sup>  
E: Gold Flash15U<sup>®</sup> F: Gold Flash30U<sup>®</sup> G: Gold T: Tin

**Material & finish**

SHELL : steel Zinc plated, Tin plated or Nickel plated steel  
PIN CONTACT: Phosphor bronze or brass Gold Plated  
INSULATOR: PBT & Glass- fibre reinforced UL-94-V0  
NUMBER OF CONTACT: 09 15 25 37  
CURRENT RATING: 3Amp  
INSULATOR RESISTANCE: 1000Mn MIN. (at 500V DC)  
TEMPERATURE: -55°C to +105°C  
The torsion: 1kg Min

	A	B	C	D
09	16.25	25.0	30.8	19.0
15	24.8	33.3	39.2	27.7
25	38.3	47.0	53.0	41.0
37	54.8	63.5	69.4	57.3

**D-SUB 公头前铆螺母 / D-SUB male front rivet nut**



**Material & finish**

- SHELL : steel Zinc plated, Tin plated or Nickel plated steel
- PIN CONTACT: Phosphor bronze or brass Gold Plated
- INSULATOR: PBT & Glass-fibre reinforced UL-94-VO
- NUMBER OF CONTACT: 09 15 25 37
- CURRENT RATING: 3Amp
- INSULATOR RESISTANCE: 1000Mn MIN. (at 500V DC)
- TEMPERATURE: -55°C to +105°C

DB-X M X V X X X B 0 0

Pin: 09 15 25 37

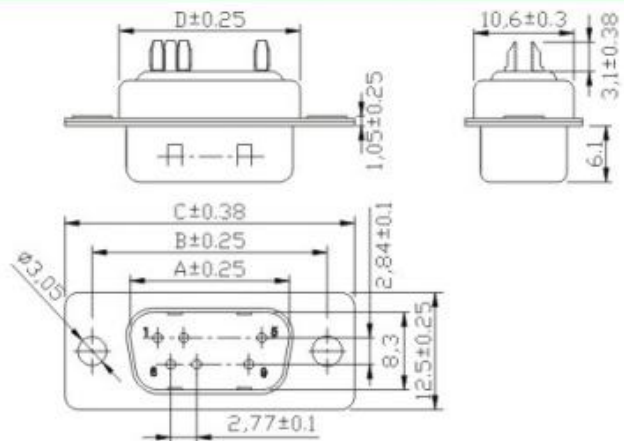
COLOUR  
 B: Blue K: Black W: White  
 2: 661C blue 3: 235C  
 Red 4: 322C green  
 6: 131C Yellow

SHELL PLATING  
 A: Gold B: Front Gold and back Tin  
 C: Front Nickel and Back TIN  
 N: Nickel T: Tin 5: Zinc D: CU/ZNSN

Contact Finish  
 A: Gold Flash C: Gold Flash3U\* D: Gold Flash5U\*  
 E: Gold Flash15U\* F: Gold Flash30U\* G: Gold T: Tin

	A	B	C	D
09	16.9	25.0	30.8	19.0
15	25.35	33.3	39.2	27.7
25	39.0	47.0	53.0	41.0
37	55.4	63.5	69.4	57.3

**D-SUB 公头焊线式 / D-SUB male welding wire type**



**Material & finish**

- SHELL : steel Zinc plated, Tin plated or Nickel plated steel
- PIN CONTACT: Phosphor bronze or brass Gold Plated
- INSULATOR: PBT & Glass-fibre reinforced UL-94-VO
- NUMBER OF CONTACT: 09 15 25 37
- CURRENT RATING: 3Amp
- INSULATOR RESISTANCE: 1000Mn MIN. (at 500V DC)
- TEMPERATURE: -55°C to +105°C

DB-X M X V X X X D 0 0

Pin: 09 15 25 37

COLOUR  
 B: Blue K: Black W: White  
 2: 661C blue 3: 235C  
 Red 4: 322C green  
 6: 131C Yellow

SHELL PLATING  
 A: Gold B: Front Gold and back Tin  
 C: Front Nickel and Back TIN  
 N: Nickel T: Tin 5: Zinc D: CU/ZNSN

Contact Finish  
 A: Gold Flash C: Gold Flash3U\* D: Gold Flash5U\*  
 E: Gold Flash15U\* F: Gold Flash30U\* G: Gold T: Tin

	A	B	C	D
09	16.9	25.0	30.8	19.0
15	25.35	33.3	39.2	27.7
25	39.0	47.0	53.0	41.0
37	55.4	63.5	69.4	57.3

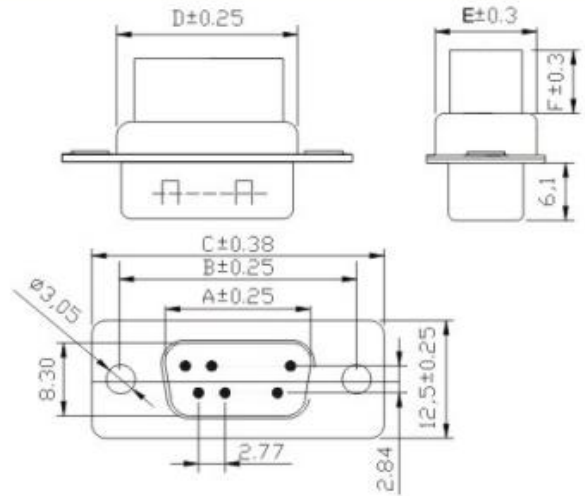


**D-SUB CRIMP 公头 / D-SUB CRIMP male**



**Material & finish**

- SHELL : steel Zinc plated, Tin plated or Nickel plated steel
- PIN CONTACT: Phosphor bronze or brass Gold Plated
- INSULATOR: PBT & Glass- fibre reinforced UL-94-VO
- NUMBER OF CONTACT: 09 15 25 37
- CURRENT RATING: 3Amp
- INSULATOR RESISTANCE: 1000Mn MIN. (at 500V DC)
- TEMPERATURE: -55°C to +105°C



DH-X P X V 0 X X A 0 0

Pin: 09 15 25 37 50

COLOUR  
B: Blue K: Black W: White  
2: 661C blue 3: 235C Red  
4: 322C green 6: 131C Yellow

SHELL PLATING  
A: Gold B: Front Gold and back Tin  
C: Front Nickel and Back TIN  
N: Nickel T: Tin 5: Zinc  
D: CU/ZNSN (SHELL: C2680)

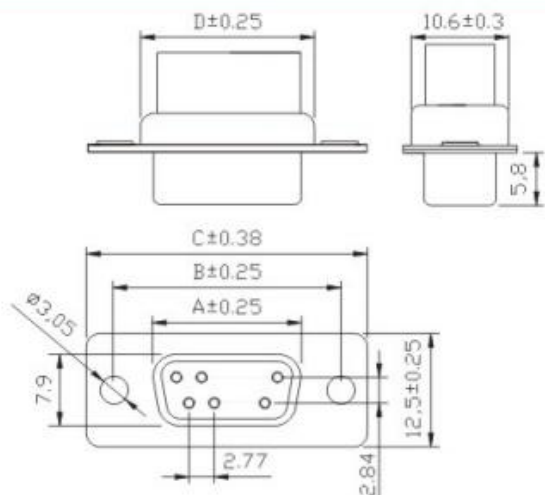
	A	B	C	D	E	F
09	16.25	25.0	30.8	19.0	10.6	6.3
15	25.35	33.3	39.2	27.7	10.6	6.4
25	39.0	47.0	53.0	41.0	10.6	6.5
37	55.4	63.5	69.4	57.3	10.6	6.2

**D-SUB CRIMP 母头 / D-SUB CRIMP female**



**Material & finish**

- SHELL : steel Zinc plated, Tin plated or Nickel plated steel
- PIN CONTACT: Phosphor bronze or brass Gold Plated
- INSULATOR: PBT & Glass- fibre reinforced UL-94-VO
- NUMBER OF CONTACT: 09 15 25 37
- CURRENT RATING: 3Amp
- INSULATOR RESISTANCE: 1000Mn MIN. (at 500V DC)
- TEMPERATURE: -55°C to +105°C



DH-X S X X 0 X X A 0 0

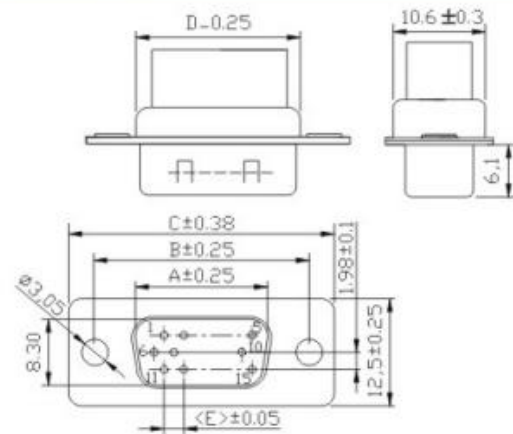
Pin: 09 15 25 37

COLOUR  
B: Blue K: Black W: White  
2: 661C blue 3: 235C Red  
4: 322C green 6: 131C Yellow

SHELL PLATING  
A: Gold B: Front Gold and back Tin  
C: Front Nickel and Back TIN  
N: Nickel T: Tin 5: Zinc D: CU/ZNSN

	A	B	C	D
09	16.25	25.0	30.8	19.0
15	24.8	33.3	39.2	27.7
25	38.3	47.0	53.0	41.0
37	54.8	63.5	69.4	57.3

**D-SUB HD CRIMP 系列 / D-SUB HD CRIMP series**



**CRIMP 打线式公头 / CRIMP wire type male**

- Material & finish**
- SHELL : steel Zinc plated, Tin plated or Nickel plated steel
  - PIN CONTACT: Phosphor bronze or brass Gold Plated
  - INSULATOR: PBT & Glass- fibre reinforced UL-94-V0
  - NUMBER OF CONTACT: 15 26 42 64
  - CURRENT RATING: 3Amp
  - INSULATOR RESISTANCE: 1000Mn MIN. (at 500V DC)
  - TEMPERATURE: -55°C to +105°C

HH-X P X X 0 X X A 0 0

Pin: 15 26 44 62

COLOUR

B: Blue K: Black W: White  
 2: 661C blue 3: 235C  
 Red 4: 322C green  
 6: 131C Yellow

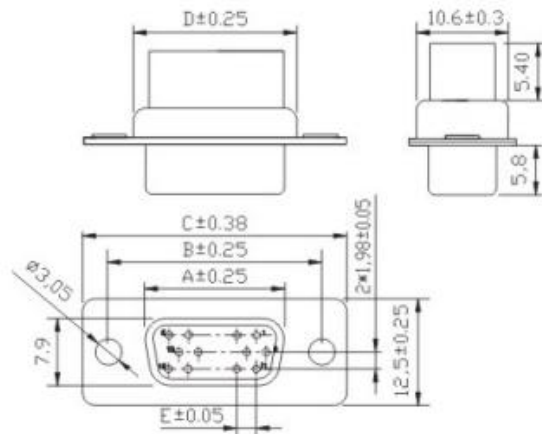
SHELL PLATING

A: Gold B: Front Gold and back Tin  
 C: Front Nickel and Back TIN N: Nickel T: Tin  
 5: Zinc D: CU/ZNSN (SHELL: C26400)

	A	B	C	D	E
15	16.9	25.0	30.8	19.0	2.29
26	25.35	33.3	39.2	27.7	2.29
44	39.0	47.0	53.0	41.0	2.29
62	55.4	63.5	69.4	57.3	2.41

**CRIMP 打线式母头 / CRIMP wire type female**

- Material & finish**
- SHELL : steel Zinc plated, Tin plated or Nickel plated steel
  - PIN CONTACT: Phosphor bronze or brass Gold Plated
  - INSULATOR: PBT & Glass- fibre reinforced UL-94-V0
  - NUMBER OF CONTACT: 15 26 42 64
  - CURRENT RATING: 3Amp
  - DIELECTRIC STRENGTH: 1000V for one minute
  - INSULATOR RESISTANCE: 1000Mn MIN. (at 500V DC)
  - TEMPERATURE: -55°C to +105°C



HH-X S X X 0 X X A 0 0

Pin: 15 26 44 62

COLOUR

B: Blue K: Black W: White  
 2: 661C blue 3: 235C  
 Red 4: 322C green  
 6: 131C Yellow

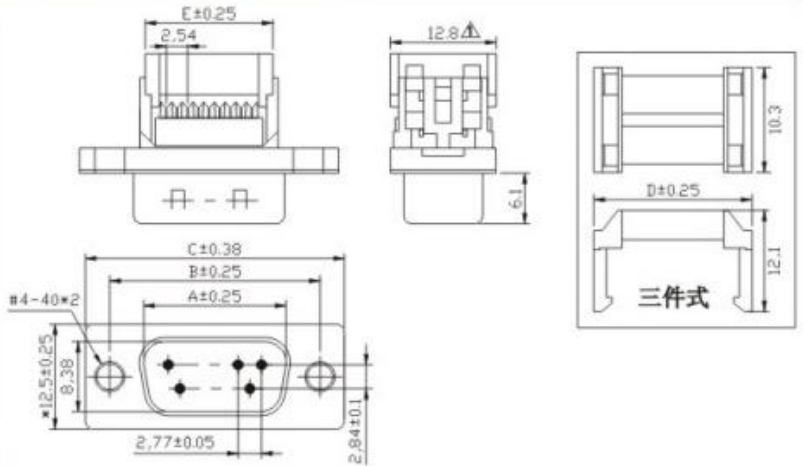
SHELL PLATING

A: Gold B: Front Gold and back Tin  
 C: Front Nickel and Back TIN  
 N: Nickel T: Tin 5: Zinc D: CU/ZNSN

	A	B	C	D	E
15	16.25	25.0	30.8	19.0	2.29
26	24.8	33.3	39.2	27.7	2.29
44	38.3	47.0	53.0	41.0	2.29
62	54.8	63.5	69.4	57.3	2.41



**D-SUB IDC 公头三件式 / D-SUB IDC male three piece**



**Material & finish**

SHELL : steel Zinc plated, Tin plated or Nickel plated steel

INSULATOR: PBT & Glass- fibre reinforced UL-94-VO

PIN CONTACT: Phosphor bronze Gold FLASH

CONTACT RESISTANCE: 20 mΩ

INSULATION RESISTANCE: 1000 MΩ

CURRENT RATING: 1Amp

INSULATOR RESISTANCE: 500Mn MIN. (at 500V DC)

TEMPERATURE: -55°C to +105°C

**DF-X P X V X X B 0 A B**

Pin: 09 15 25 37

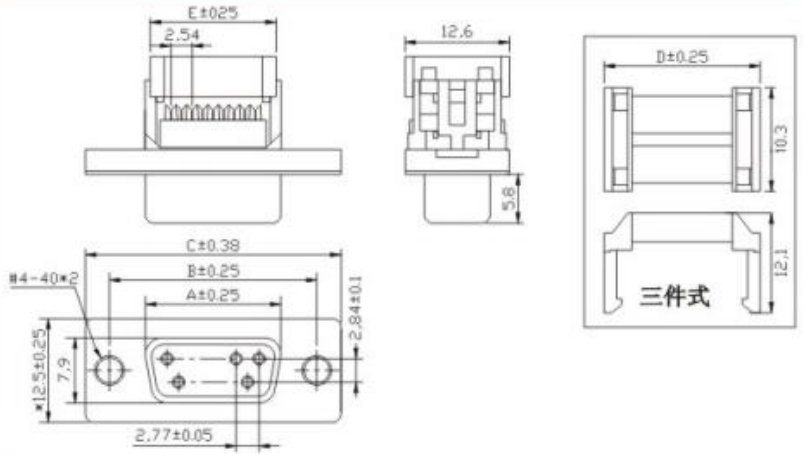
COLOUR  
B: Blue K: Black W: White  
2: 661C blue 3: 235C  
Red 4: 322C green  
6: 131C Yellow 7: Grey

SHELL PLATING  
A: Gold N: Nickel T: Tin 5: Zinc

Contact Finish  
A: Gold Flash C: Gold Flash3U<sup>®</sup> D: Gold Flash5U<sup>®</sup>  
E: Gold Flash15U<sup>®</sup> F: Gold Flash30U<sup>®</sup> G: Gold T: Tin

	A	B	C	D	E
09	16.92	24.99	30.81	18.80	15.31
15	25.25	33.32	39.14	26.90	23.6
25	38.80	47.04	53.04	40.30	37.2
37	55.45	63.50	69.32	56.95	53.75

**D-SUB IDC 母头三件式 / D-SUB IDC female three piece**



**Material & finish**

SHELL : steel Zinc plated, Tin plated or Nickel plated steel

INSULATOR: PBT & Glass- fibre reinforced UL-94-VO

PIN CONTACT: Phosphor bronze Gold FLASH

CONTACT RESISTANCE: 20 mΩ

INSULATION RESISTANCE: 1000 MΩ

CURRENT RATING: 1Amp

INSULATOR RESISTANCE: 500Mn MIN. (at 500V DC)

TEMPERATURE: -55°C to +105°C

**DF-X S X V X X B 0 A B**

Pin: 09 15 25 37

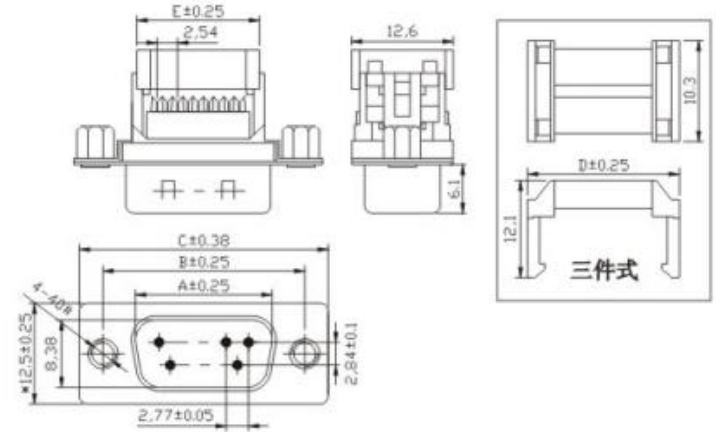
COLOUR  
B: Blue K: Black W: White  
2: 661C blue 3: 235C  
Red 4: 322C green  
6: 131C Yellow 7: Grey

SHELL PLATING  
A: Gold N: Nickel T: Tin 5: Zinc

Contact Finish  
A: Gold Flash C: Gold Flash3U<sup>®</sup> D: Gold Flash5U<sup>®</sup>  
E: Gold Flash15U<sup>®</sup> F: Gold Flash30U<sup>®</sup> G: Gold T: Tin

	A	B	C	D	E
09	16.25	24.99	30.81	18.80	15.31
15	24.80	33.32	39.14	26.90	23.6
25	38.30	47.04	53.04	40.30	37.2
37	54.80	63.50	69.32	56.95	53.75

**D-SUB IDC 公头短耳后铆螺母 / D-SUB IDC male short ear back rivet nut**



**Material & finish**

- SHELL : steel Zinc plated, Tin plated or Nickel plated steel
- INSULATOR: PBT & Glass- fibre reinforced UL-94-VO
- PIN CONTACT: Phosphor bronze Gold FLASH
- CURRENT RATING: 1Amp
- INSULATOR RESISTANCE: 500Mn MIN. (at 500V DC)
- TEMPERATURE: -55°C to +105°C

**DF-X P X V X X B 0 F B**

Pin: 09 15 25 37

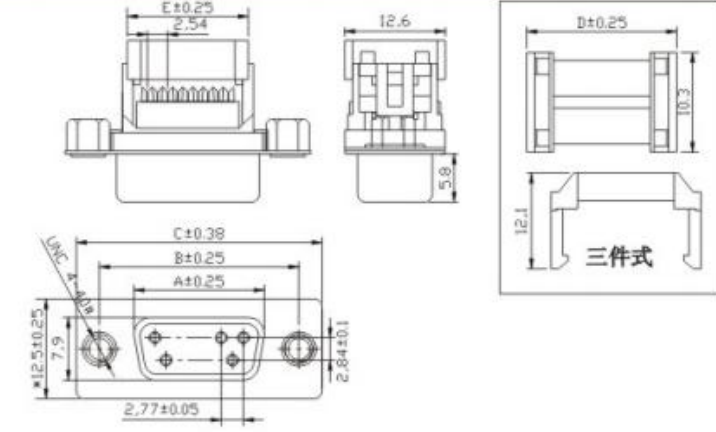
COLOUR  
B: Blue K: Black W: White  
2: 661C blue 3: 235C  
Red 4: 322C green  
6: 131C Yellow

SHELL PLATING  
A: Gold N: Nickel T: Tin 5: Zinc

Contact Finish  
A: Gold Flash C: Gold Flash3U" D: Gold Flash5U"  
E: Gold Flash15U" F: Gold Flash30U" G: Gold T: Tin

	A	B	C	D	E
09	16.92	24.99	30.81	18.80	15.31
15	25.25	33.32	39.14	26.90	23.6
25	38.80	47.04	53.04	40.30	37.2
37	55.45	63.50	69.32	56.95	53.75

**D-SUB IDC 母头短耳后铆螺母 / D-SUB IDC female short ear rear rivet nut**



**Material & finish**

- SHELL : steel Zinc plated, Tin plated or Nickel plated steel
- INSULATOR: PBT & Glass- fibre reinforced UL-94-VO
- PIN CONTACT: Phosphor bronze Gold FLASH
- CURRENT RATING: 1Amp
- DIELECTRIC STRENGTH: 500V for one minute
- INSULATOR RESISTANCE: 500Mn MIN. (at 500V DC)
- TEMPERATURE: -55°C to +105°C

**DF-X S X V X X B 0 B X**

Pin: 09 15 25 37

COLOUR  
B: Blue K: Black W: White  
2: 661C blue 3: 235C  
Red 4: 322C green  
6: 131C Yellow

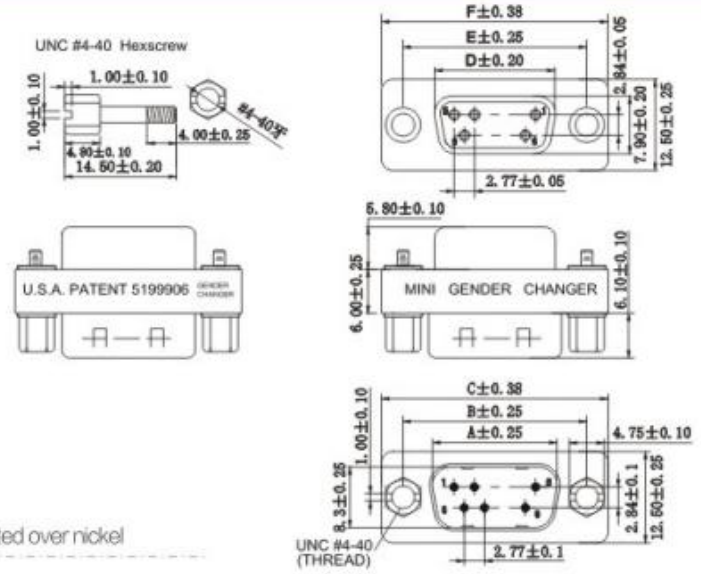
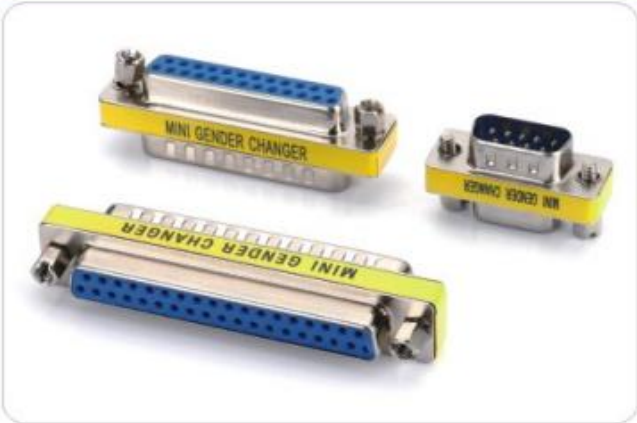
SHELL PLATING  
A: Gold N: Nickel T: Tin 5: Zinc

Contact Finish  
A: Gold Flash C: Gold Flash3U" D: Gold Flash5U"  
E: Gold Flash15U" F: Gold Flash30U" G: Gold T: Tin

	A	B	C	D	E
09	16.25	24.99	30.81	18.80	15.0
15	24.80	33.32	39.14	26.90	23.6
25	38.30	47.04	53.04	40.30	37.2
37	54.80	63.50	69.32	56.95	53.75



**D-SUB M TO F 转接头 / D-SUB M to F adapter**

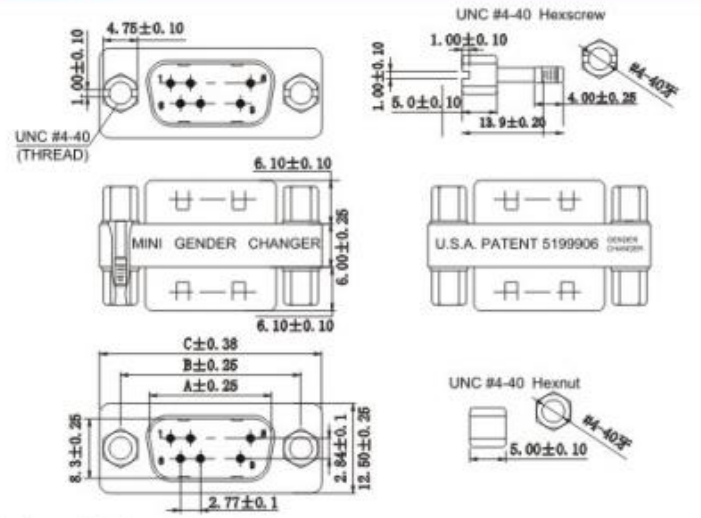


**Material & finish**

Label: yellow color with black character	CONTACT PLATING: Gold plated over nickel
One side: MINI GENDER CHANGER	SHELL: Ni plated shell
The other side: U.S. A. PATENT 5199906 GENDER CHANGER	CURRENT RATING: 3 AMP
SPECIFICATION	DIELECTRIC STRENGTH: 1000V AC for one minute
INSULATOR: PBT Glass fibre reinforced UL 94 VO	INSULATOR RESISTANCE: 1000 Ω min at 500V DC
CONTACT: Brass	TEMPERATURE: -55°C - +105°C

	A	B	C	D	E	F
09	16.9	25.0	30.8	16.25	25.0	30.8
15	25.35	33.5	39.2	24.8	33.3	39.2
25	39.0	47.0	53.0	38.3	47.0	53.0
37	55.4	63.5	69.4	54.8	63.5	69.4

**D-SUB M TO M 转接头 / D-SUB M to M adapter**

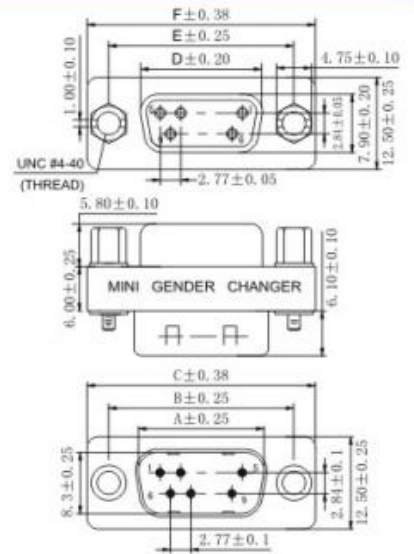
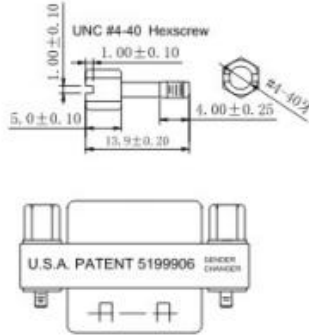


**Material & finish**

Label: yellow color with black character	CONTACT PLATING: Gold plated over nickel
One side: MINI GENDER CHANGER	SHELL: Ni plated shell
The other side: U.S. A. PATENT 5199906 GENDER CHANGER	CURRENT RATING: 3 AMP
SPECIFICATION	DIELECTRIC STRENGTH: 1000V AC for one minute
INSULATOR: PBT Glass fibre reinforced UL 94 VO	INSULATOR RESISTANCE: 1000 Ω min at 500V DC
CONTACT: Brass	TEMPERATURE: -55°C - +105°C

	A	B	C
09	16.9	25.0	30.8
15	25.35	33.5	39.2
25	39.0	47.0	53.0
37	55.4	63.5	69.4

D-SUB F TO F 转接头 / D-SUB F TO F adapter

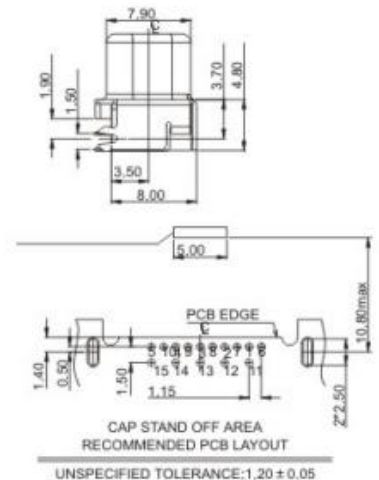
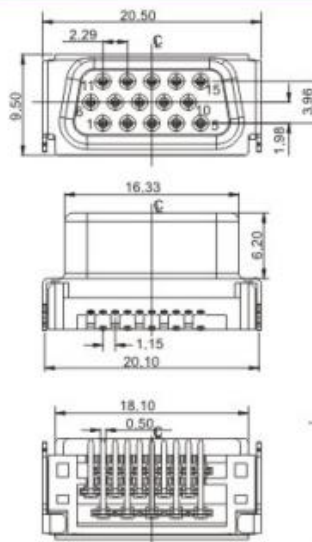


Material & finish

Label: yellow color with black character	CONTACT PLATING: Gold plated over nickel
One side: MINI GENDER CHANGER	SHELL: Ni plated shell
The other side: U.S. A. PATENT 5199906 GENDER CHANGER	CURRENT RATING: 3 AMP
SPECIFICATION	DIELECTRIC STRENGTH: 1000V AC for one minute
INSULATOR: PBT Glass fibre reinforced UL 94 VO	INSULATOR RESISTANCE: 1000Ω min at 500V DC
CONTACT: Brass	TEMPERATURE: -55°C ~ +105°C

	A	B	C	D	E	F
09	16.9	25.0	30.8	16.25	25.0	30.8
15	25.35	33.5	39.2	24.8	33.3	39.2
25	39.0	47.0	53.0	38.3	47.0	53.0
37	55.4	63.5	69.4	54.8	63.5	69.4

D-SUB SLIM VGA 母头沉板式正向 CL=3.5mm / D-sub slim VGA female sink plate forward CL = 3.5mm



Material & finish

RATED VOLTAGE: 250V
RATED CURRENT: 3 AMP
NUMBER OF CONTACT: 15 26 44 62
CONTACT RESISTANCE: 30mΩ maximum
INSULATION RESISTANCE: 1000 mΩ minimum at dc 500v
ELECTRIC PRESSURE: keeping 60 second in ac 500v/1ma
OPERATING TEMPERATURE: -55°C to 105°C
INSERTION/EXTRACTION FORCE PER CONTACT: 3.74kg maximum 0.33kg minimum

HR-X F X V X X A 0 D 0

Pin: 15 26 44 62  
COLOUR  
B: Blue K: Black W: White  
2: 661C blue 3: 235C  
Red 4: 322C green  
6: 131C Yellow

SHELL PLATING  
A: Gold N: Nickel T: Tin  
Contact Finish  
A: Gold Flash C: Gold Flash3U<sup>®</sup> D: Gold Flash5U<sup>®</sup>  
E: Gold Flash15U<sup>®</sup> F: Gold Flash30U<sup>®</sup> G: Gold T: Tin



**D-SUB DR 90度母头插PCB板系列 / D-SUB DR 90 degree female plug PCB series**



**Material & finish**

SHELL : steel Zinc plated, Tin plated or Nickel plated steel

PIN CONTACT: Phosphor bronze or brass Gold Plated

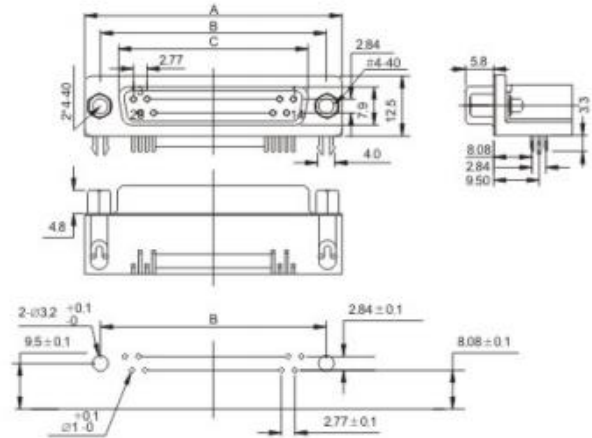
INSULATOR: PBT & Glass- fibre reinforced UL-94-V0

NUMBER OF CONTACT: 09 15 25 37

CURRENT RATING: 3Amp

INSULATOR RESISTANCE: 1000Mn MIN. (at 500V DC)

TEMPERATURE: -55°C to +105°C



**DR-X S X V X X G A 0 0**

Pin: 09 15 25 37

COLOUR  
B: Blue K: Black W: White  
2: 661C blue 3: 235C  
Red 4: 322C green  
6: 131C Yellow

SHELL PLATING  
A: Gold N: Nickel T: Tin

Contact Finish  
A: Gold Flash C: Gold Flash3U\* D: Gold Flash5U\*  
E: Gold Flash15U\* F: Gold Flash30U\* G: Gold T: Tin

	A	B	C
09	30.8	25.0	16.35
15	39.2	33.32	24.7
25	53.1	47.04	38.4
37	70.0	63.5	54.8

**D-SUB DR 90度公头插PCB板系列 / D-SUB DR 90 degree male plug PCB series**



**Material & finish**

SHELL : steel Zinc plated, Tin plated or Nickel plated steel

PIN CONTACT: Phosphor bronze or brass Gold Plated

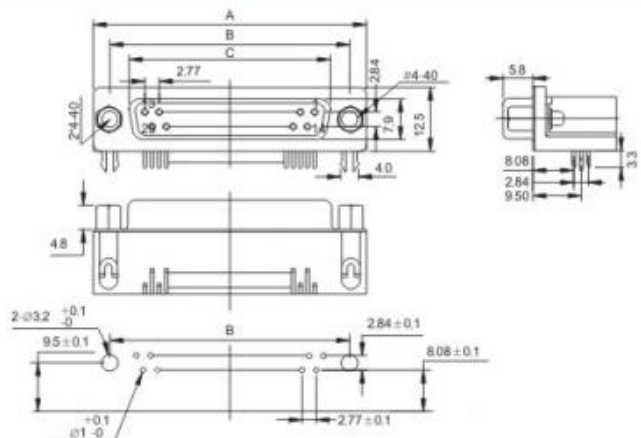
INSULATOR: PBT & Glass- fibre reinforced UL-94-V0

NUMBER OF CONTACT: 09 15 25 37

CURRENT RATING: 3Amp

INSULATOR RESISTANCE: 1000Mn MIN. (at 500V DC)

TEMPERATURE: -55°C to +105°C



**DR-X S X V X X G A 0 0**

Pin: 09 15 25 37

COLOUR  
B: Blue K: Black W: White  
2: 661C blue 3: 235C  
Red 4: 322C green  
6: 131C Yellow

SHELL PLATING  
A: Gold N: Nickel T: Tin

Contact Finish  
A: Gold Flash C: Gold Flash3U\* D: Gold Flash5U\*  
E: Gold Flash15U\* F: Gold Flash30U\* G: Gold T: Tin

	A	B	C
09	30.8	25.0	16.35
15	39.2	33.32	24.7

**D-SUB HR 90度母头插PCB板系列 / D-SUB HR 90 degree female plug PCB series**



**HDR-15母锁合Z字片锁螺丝  
HDR-15 female locking z-piece locking screw**

**Material & finish**

SHELL : steel Zinc plated, Tin plated or Nickel plated steel

PIN CONTACT: Phosphor bronze or brass Gold Plated

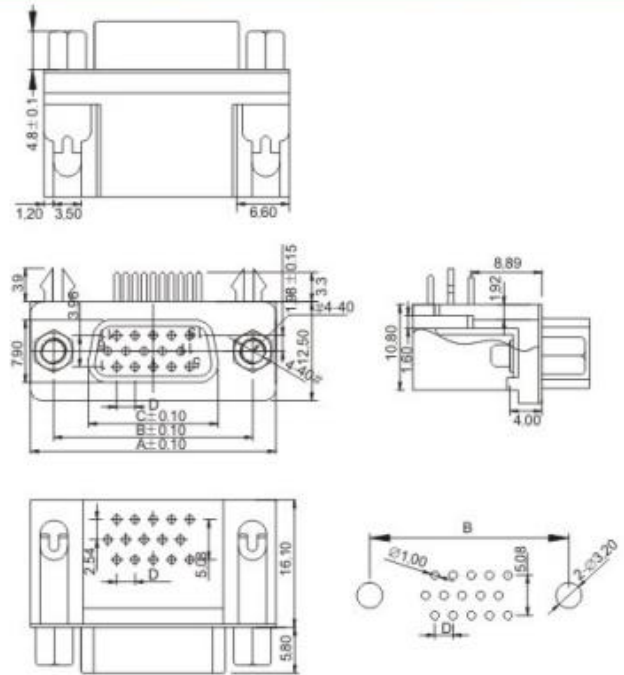
INSULATOR: PBT & Glass- fibre reinforced UL-94-VO

CURRENT RATING: 5Amp

DIELECTRIC STRENGTH: 1000V for one minute

INSULATOR RESISTANCE: 1000Mn MIN. (at 500V DC)

TEMPERATURE: -55°C to +105°C



	A	B	C	D
15	30.8	25.0	16.3	2.29
26	39.2	33.32	24.7	2.29
44	53.1	47.04	39.0	2.29
62	70.0	63.5	55.4	2.41

**HDR-78母锁合Z字片前锁4.8螺丝 / HDR-15 Female locking z-piece front lock 4.8 screws**

**Material & Specification**

INSULATOR: PBT+ 25%Glass Fiber (UL 94V-0)

CONTACT: Brass

CONTACT PLATED: Gold Flash over Tin

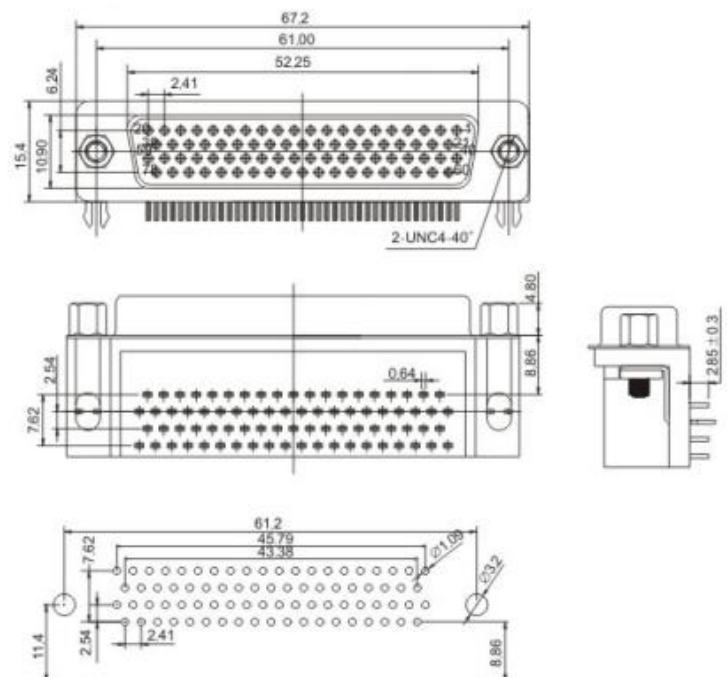
SHELL: Steel, Nickel PLATED

CURRENT RATING: 5Amp

INSULATOR RESISTANCE: 1000Mn MIN. (at 500V DC)

DIELECTRIC STRENGTH: 500V for One minute

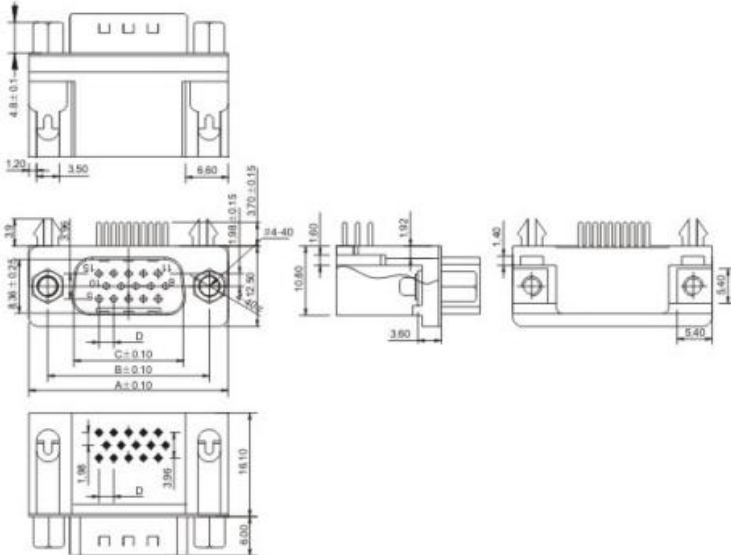
TEMPERATURE: -55°C to +105°C





诚信、共赢、感恩  
Honesty, win-win and gratitude

D-SUB HR 90度公头插PCB板系列 / D-SUB HR 90 degree male plug PCB series



HDR-15公锁合Z字片锁螺丝  
HDR-15 male locking z-piece locking screw

Material & finish

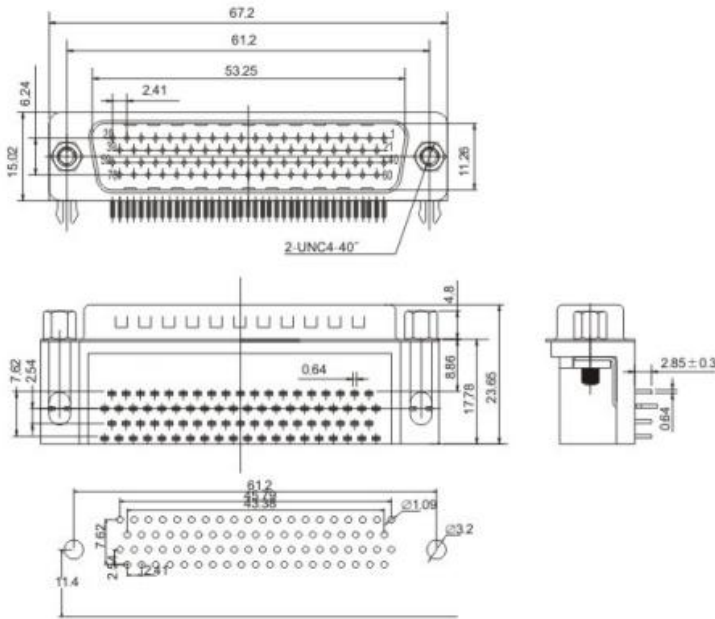
- SHELL : steel Zinc plated, Tin plated or Nickel plated steel
- PIN CONTACT: Phosphor bronze or brass
- INSULATOR: PBT & Glass- fibre reinforced UL-94-V0
- CURRENT RATING: 5Amp
- DIELECTRIC STRENGTH: 1000V for one minute
- TEMPERATURE: -55°C to +105°C

	A	B	C	D
15	30.8	25.0	16.9	2.29
26	39.2	33.32	25.3	2.29
44	53.1	47.04	39.0	2.29
62	70.0	63.5	55.2	2.41

HDR-78公锁合Z字片前锁4.8螺丝 / HDR-15 male locking z-piece front lock 4.8 screws

Material & Specification

- INSULATOR: PBT+ 25%Glass Fiber (UL 94V-0)
- CONTACT: Brass
- CONTACT PLATED: Gold Flash over Tin
- SHELL: Steel, Nickel PLATED
- CURRENT RATING: 5Amp
- INSULATOR RESISTANCE: 1000Mn MIN. (at 500V DC)
- DIELECTRIC STRENGTH: 500V for One minute
- TEMPERATURE: -55°C to +105°C



D-SUB 90度插板双胞胎系列 / D-SUB 90 degree board twin series



▲ 9F9M



▲ 9M9M



▲ 15F09M



▲ 15M15M



▲ 25M25M



▲ HD15F HD15F



▲ 37M37M



D-SUB HD 180度 / D-SUB HD 180 degrees



▲ D-SUB HD 180度公头插板式  
D-SUB HD 180 degree male plug-in type

▲ D-SUB HD 180度母头后铆鱼叉前锁螺丝  
D-SUB HD 180 degree female head, rear rivet harpoon front lock screw

Material & finish

SHELL : steel Zinc plated, Tin plated or Nickel plated steel

PIN CONTACT: Phosphor bronze or brass Gold Plated

INSULATOR: PBT & Glass- fibre reinforced UL-94-VO

NUMBER OF CONTACT: 15 26 44 62

CURRENT RATING: 3Amp

INSULATOR RESISTANCE: 1000Mn MIN. (at 500V DC)

TEMPERATURE: -55°C to +105°C

HS1-X S X V X X X F 0 0

Pin: 15 26 44 62

COLOUR

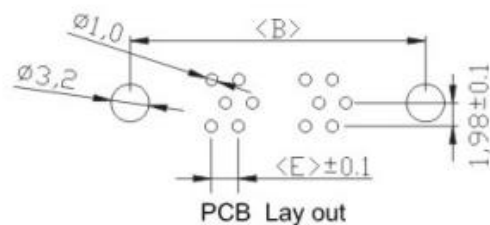
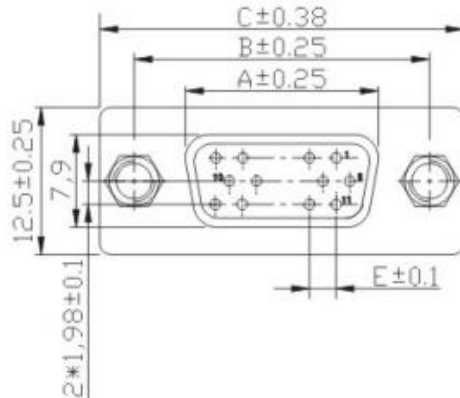
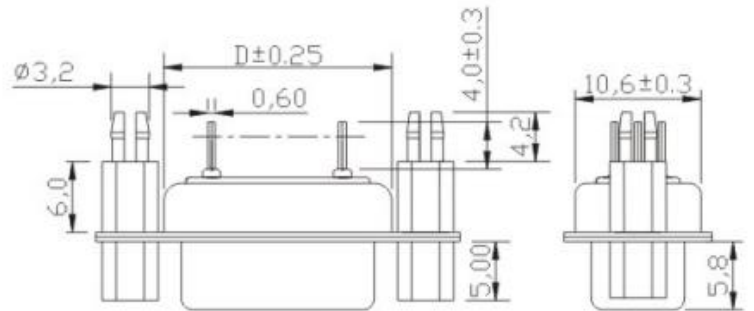
B: Blue K: Black W: White  
2: 661C blue 3: 235C  
Red 4: 322C green  
6: 131C Yellow

SHELL PLATING

A: Gold B: Front Gold and back Tin  
C: Front Nickel and Back TIN  
N: Nickel T: Tin 5: Zinc D: CU/ZN/5N

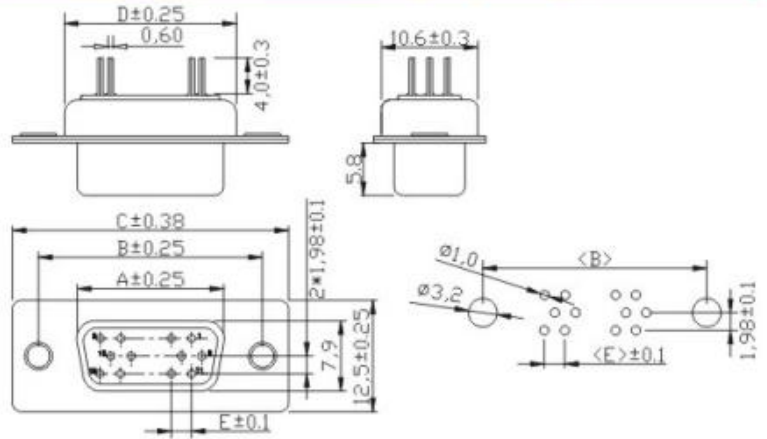
Contact Finish

A: Gold Flash C: Gold Flash3U\*  
D: Gold Flash5U\* E: Gold Flash15U\*  
F: Gold Flash30U\* G: Gold T: Tin



	A	B	C	D	E
15	16.25	25.0	30.8	19.0	2.29
26	24.8	33.3	39.2	27.7	2.29
44	38.3	47.0	53.0	41.0	2.29
62	54.8	63.5	69.4	57.3	2.41

**D-SUB HD 180度母头插板式 / D-SUB HD 180 degree female plug-in type**



**Material & finish**

- SHELL : steel Zinc plated, Tin plated or Nickel plated steel
- PIN CONTACT: Phosphor bronze or brass Gold Plated
- INSULATOR: PBT & Glass- fibre reinforced UL-94-VO
- NUMBER OF CONTACT: 09 15 25 37
- CURRENT RATING: 3Amp
- INSULATOR RESISTANCE: 1000M $\Omega$  MIN. (at 500V DC)
- TEMPERATURE: -55°C to +105°C

HS1-X S X V X X X A 0 0

Pin: 15 26 44 62

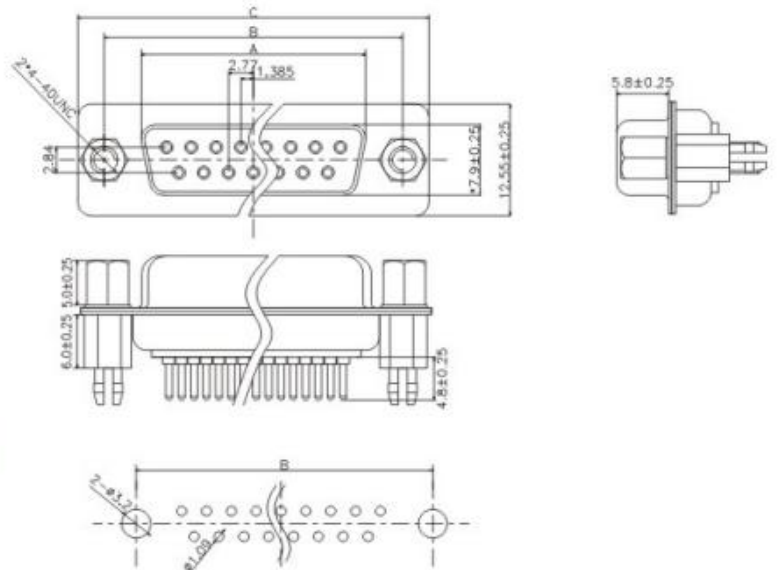
COLOUR  
 B: Blue K: Black W: White  
 2: 661C blue 3: 235C  
 Red 4: 322C green  
 6: 131C Yellow

SHELL PLATING  
 A: Gold B: Front Gold and back Tin  
 C: Front Nickel and Back TIN  
 N: Nickel T: Tin 5: Zinc D: CU/ZNSN

Contact Finish  
 A: Gold Flash C: Gold Flash3U" D: Gold Flash5U"  
 E: Gold Flash15U" F: Gold Flash30U" G: Gold T: Tin

	A	B	C	D	E
15	16.25	25.0	30.8	19.0	2.29
26	24.8	33.3	39.2	27.7	2.29
44	38.3	47.0	53.0	41.0	2.29
62	54.8	63.5	69.4	57.3	2.41

**D-SUB 180度车针插 PCB 式 / D-SUB 180 degree needle inserted PCB**



**Material & finish**

- DI ELECTRIC RATING: 300V
- CONTACT CURRENT RATING: 5AMP
- CONTACT RESISTANCE: 15m $\Omega$  MAX.
- INSULATION RESISTANCE: 1000M $\Omega$  MIN. at 500V DC
- DI ELECTRIC STRENGTH: 500V AC RMS for 1 Minute
- OPERATION TEMPERATURE: - 55°C ~ 125°C
- INSULATOR: PBT+30% G. F (UL94V-0)
- CONTACT: COPPER ALLOY
- CONTACT PLATED: GOLD FLASH OVER NICKEL
- SHELL: SPCC SHELLPLATED: NICKEL/TIN
- FORK: COPPER ALLOY/PLATED NICKEL

PCB LAYOUT

PO(XXX)	A $\pm 0.25$	B $\pm 0.13$	C $\pm 0.38$
09	16.33	24.99	30.81
15	24.66	33.32	39.14
25	38.38	47.04	53.04
37	54.84	63.50	69.32





**D-SUB 180度 / D-SUB 180 degrees**



▲ D-SUB 180度公头  
D-SUB 180 degree male

▲ D-SUB 180度母头后铆鱼叉前锁螺丝  
D-SUB 180 degree female head, rear rivet harpoon front lock screw

**Material & finish**

SHELL : steel Zinc plated, Tin plated or Nickel plated steel

PIN CONTACT: Phosphor bronze or brass Gold Plated

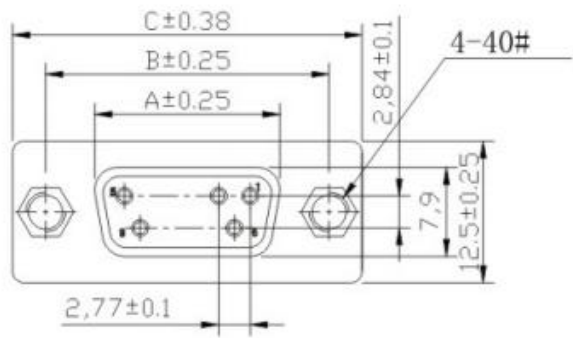
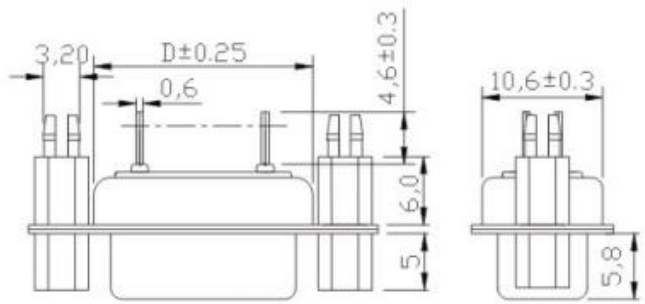
INSULATOR: PBT & Glass- fibre reinforced UL-94-VO

NUMBER OF CONTACT: 09 15 25 37

CURRENT RATING: 3Amp

INSULATOR RESISTANCE: 1000Mn MIN. (at 500V DC)

TEMPERATURE: -55°C to +105°C



DS1-X S X V X X X M 0 0

Pin: 09 15 25 37

COLOUR

B: Blue K: Black W: White  
2: 661C blue 3: 235C  
Red 4: 322C green  
6: 131C Yellow

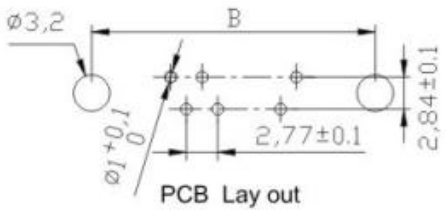
SHELL PLATING

A: Gold B: Front Gold and back Tin  
C: Front Nickel and Back TIN  
N: Nickel T: Tin 5: Zinc D: CU/ZNSN

Contact Finish

A: Gold Flash C: Gold Flash3U\*  
D: Gold Flash5U\* E: Gold Flash1 5U\*  
F: Gold Flash30U\* G: Gold T: Tin

	A	B	C	D
09	16.25	25.0	30.8	19.0
15	24.8	33.3	39.2	27.7
25	38.3	47.0	53.0	41.0
37	54.8	63.5	69.4	57.3



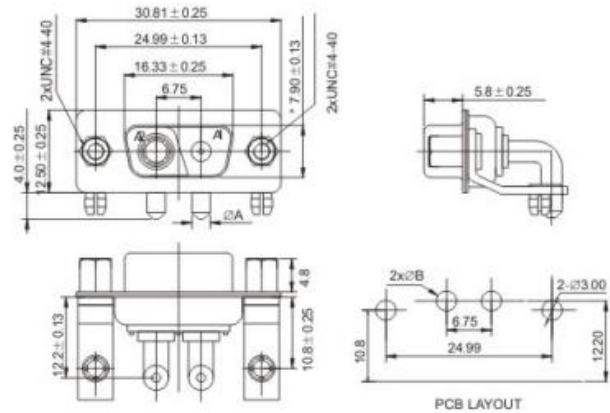


2V2 母头带支架 10.8 锁螺丝 / 2V2 female with bracket 10.8 lock screw



Material & finish & Electrical characteristics

SHELL: steel or brass material, tin/ni or au finished  
 CONNECTOR INSULATOR: PBT thermoplastic, 30% Glass filled,  
 UL 94v-0 rated  
 BRACKET MATERIAL: brass; ni finished  
 HIGH POWER CONTACT MATERIAL: phosphor bronze;  
 Brass 3u"-50u" gold plated  
 HIGH POWER CONTACT CURRENT RATING: 10, 20, 30 or 40 amps  
 HIGH POWER CONTACT RESISTANCE: 2.7 milliohms max.  
 DIELECTRIC WITHSTANDING VOLTAGE: 1000 v ac for 1 minute  
 INSULATION RESISTANCE: 5000 megohms min.  
 TEMPERATURE RATING: -55°C ~ +125°C



DW-2 S 2 X X X X 0 D 0

COLOUR

B: Blue K: Black W: White

CURRENT:

A: 5 B: 10 C: 40 D: 20 E: 30

Contact Finish

A: Gold Flash C: Gold Flash 3U"  
 D: Gold Flash 5U" E: Gold Flash 1 5U"  
 F: Gold Flash 30U" G: Gold T: Tin

SHELL PLATING

A: Gold B: Front Gold and back Tin  
 C: Front Nickel and Back TIN  
 N: Nickel T: Tin S: Zinc D: CU/ZNSN

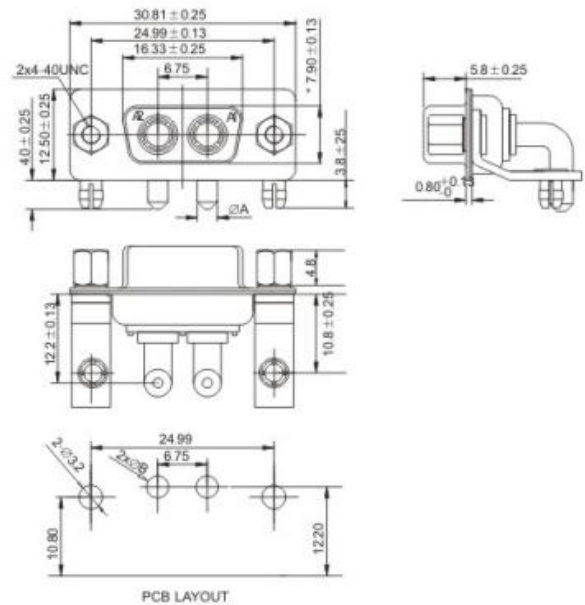
PO(X)	电流强度(A)	∅A	PCB ∅B
1	10	1.7	2.0
2	20	2.75	3.0
3	30	3.3	3.6
4	40	3.8	4.10

2W2母电流弯焊板式柳10.8支架锁螺丝 / 2W2 female current bending welding plate riveting 10.8 bracket lock screw



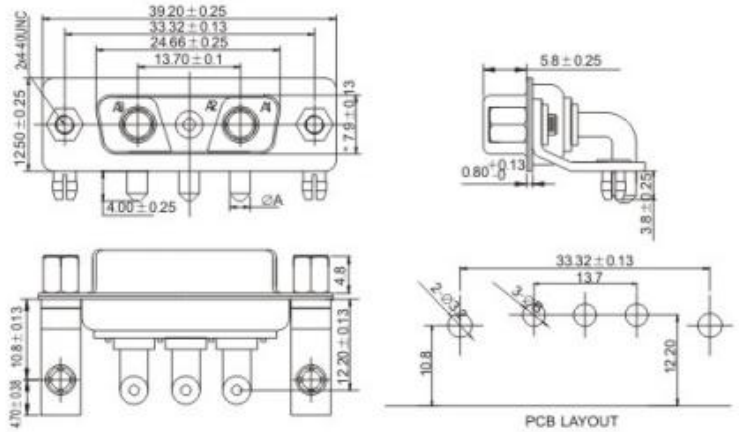
Material & finish

SHELL: steel or brass material, tin/ni or au finished  
 CONNECTOR INSULATOR: PBT thermoplastic, 30% Glass filled, UL 94v-0 rated  
 HIGH POWER CONTACT: copper alloy material, gold plated.  
 BRACKET/SCREW: copper alloy material, ni plated.  
 HIGH POWER CONTACT CURRENT RATING: 10, 20, 30 or 40 amps  
 THE WORKING VOLTAGE: 300v  
 HIGH POWER CONTACT RESISTANCE: 2.7 milliohms max.  
 DIELECTRIC WITHSTANDING VOLTAGE: 1000 v ac for 1 minute  
 INSULATION RESISTANCE: 2000 megohms min.  
 TEMPERATURE RATING: -55°C ~ +125°C



PO(X)	电流强度(A)	∅A	PCB ∅B
1	10	1.7	2.0
2	20	2.75	3.05
3	30	3.3	3.6
4	40	3.8	4.10

**3V3母头弯插带10.8支架锁螺丝 / 3V3 female bending insert belt 10.8 bracket lock screw**



**Material & finish & Electrical characteristics**

SHELL: spcc  
 CONNECTOR INSULATOR: PBT thermoplastic, 30% Glass filled,  
 UL 94v-0 rated  
 HIGH POWER CONTACT: copper alloy material, gold plated.  
 BRACKET: copper  
 HIGH POWER CONTACT CURRENT RATING: 10, 20, 30 or 40 amps  
 THE WORKING VOLTAGE: 300V  
 HIGH POWER CONTACT RESISTANCE: 10 milliohms max.  
 DIELECTRIC WITHSTANDING VOLTAGE: 1000 v ac for 1 minute  
 INSULATION RESISTANCE: 2000 megohms min.  
 TEMPERATURE RATING: -55°C ~ +125°C

**DW-3 S 3 X X C X 0 D 0**

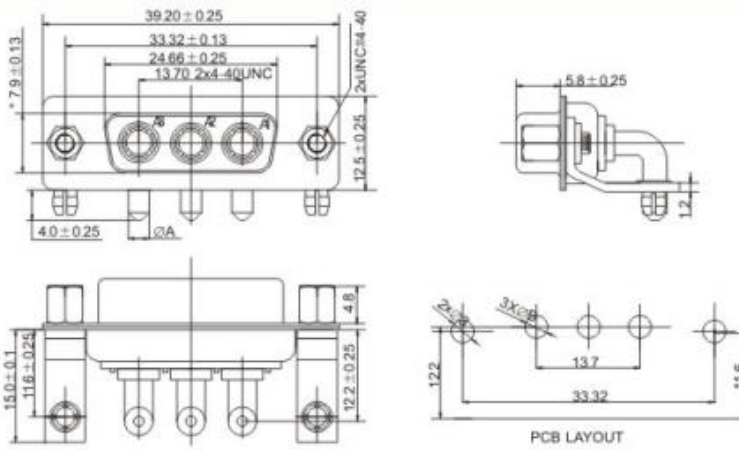
COLOUR  
 B: Blue K: Black W: White

CURRENT:  
 A: 5 B: 10 C: 40 D: 20 E: 30

Contact Finish  
 A: Gold Flash C: Gold Flash 3U\*  
 D: Gold Flash 5U\* E: Gold Flash 15U\*  
 F: Gold Flash 30U\* G: Gold T: Tin

PO(X)	电流强度(A)	∅A	PCB ∅B
1	10	1.7	2.0
2	20	2.75	3.0
3	30	3.3	3.6
4	40	3.8	4.10

**3W3母头90度插板式带支架10.8锁螺丝 / 3w3 female 90 degree plate with bracket 10.8 lock screw**



**Material & finish**

SHELL: steel or brass material, tin/ni or au finished  
 CONNECTOR INSULATOR: PBT thermoplastic, 30% Glass filled,  
 UL 94v-0 rated  
 BRACKET MATERIAL: brass; ni finished  
 HIGH POWER CONTACT MATERIAL: phosphor bronze;  
 Brass 3u"-50u" gold plated  
 HIGH POWER CONTACT CURRENT RATING: 10, 20, 30 or 40 amps  
 HIGH POWER CONTACT RESISTANCE: 2.7 milliohms max.  
 DIELECTRIC WITHSTANDING VOLTAGE: 1000 v ac for 1 minute  
 INSULATION RESISTANCE: 5000 megohms min.  
 TEMPERATURE RATING: -55°C ~ +125°C

**DW-3 F 3 X X X X 0 D 0**

COLOUR  
 B: Blue K: Black W: White

CURRENT:  
 A: 5 B: 10 C: 40 D: 20 E: 30

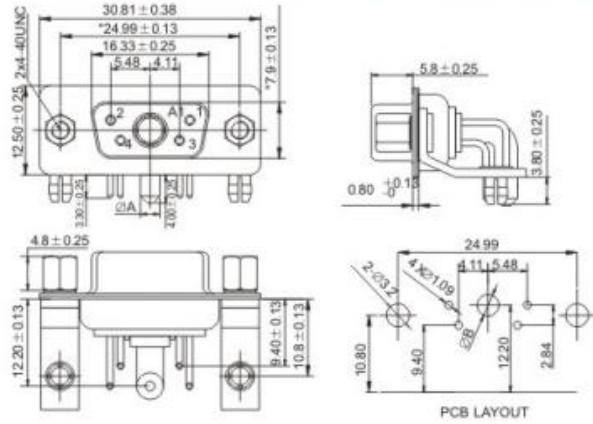
Contact Finish  
 A: Gold Flash C: Gold Flash 3U\*  
 D: Gold Flash 5U\* E: Gold Flash 15U\*  
 F: Gold Flash 30U\* G: Gold T: Tin

SHELL PLATING  
 A: Gold B: Front Gold and back Tin  
 C: Front Nickel and Back TIN  
 N: Nickel T: Tin 5: Zinc D: CU/ZN/5N

PO(X)	电流强度(A)	∅A	PCB ∅B
1	10	1.7	2.0
2	20	2.75	3.0
3	30	3.3	3.6
4	40	3.8	4.10



5W1 母头90度插板式带10.8支架锁4.8螺丝 / 5W1 female 90 degree plug plate with 10.8 bracket lock 4.8 screw



Material & finish & Electrical characteristics

SHELL: steel or brass material, tin/ni or au finished  
 CONNECTOR INSULATOR: PBT thermoplastic, 30% Glass filled, UL 94v-0 rated  
 HIGH POWER CONTACT: copper alloy material, gold plated.  
 CONNECTOR WITH SIGNAL CONTACT MATERIAL: copper alloy, gold plated  
 BRACKET/SCREW: copper alloy material, ni plated  
 HIGH POWER CONTACT CURRENT RATING: 10, 20, 30 or 40 amps  
 CONNECTOR WITH SIGNAL CONTACT CURRENT RATING: 3.0 amps  
 THE WORKING VOLTAGE: 300V  
 HIGH POWER CONTACT RESISTANCE: 2.7 milliohms max.  
 DIELECTRIC WITHSTANDING VOLTAGE: 1000 v ac for 1 minute  
 INSULATION RESISTANCE: 2000 megaohms min.  
 TEMPERATURE RATING: -55°C ~ +125°C

DW-5 F 2 X X X X 0 D 0

COLOUR  
 B: Blue K: Black W: White

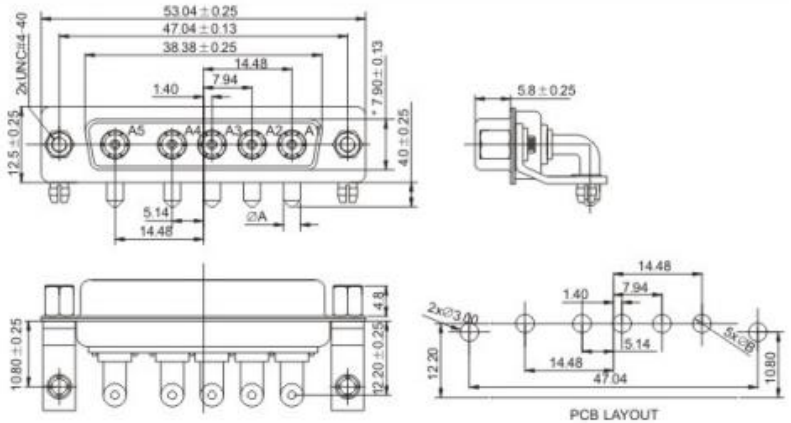
CURRENT:  
 A: 5 B: 10 C: 40 D: 20 E: 30

Contact Finish  
 A: Gold Flash C: Gold Flash3U"  
 D: Gold Flash5U" E: Gold Flash1 5U"  
 F: Gold Flash30U" G: Gold T: Tin

SHELL PLATING  
 A: Gold B: Front Gold and back Tin  
 C: Front Nickel and Back TIN  
 N: Nickel T: Tin 5: Zinc D: CU/ZNSN

PO(X)	电流强度(A)	∅A	PCB ∅B
1	10	1.7	2.0
2	20	2.75	3.0
3	30	3.3	3.6
4	40	3.8	4.10

5W5 母头90度插板式带支架10.8 / 5W5 female 90 degree plug plate with bracket 10.8



Material & finish & Electrical characteristics

SHELL: steel or brass material, tin/ni or au finished  
 CONNECTOR INSULATOR: PBT thermoplastic, 30% Glass filled, UL 94v-0 rated  
 BRACKET MATERIAL: brass; ni finished  
 HIGH POWER CONTACT MATERIAL: phosphor bronze; Brass 3u"-50u" gold plated  
 HIGH POWER CONTACT CURRENT RATING: 10, 20, 30 or 40 amps  
 HIGH POWER CONTACT RESISTANCE: 2.7 milliohms max.  
 DIELECTRIC WITHSTANDING VOLTAGE: 1000 v ac for 1 minute  
 INSULATION RESISTANCE: 5000 megaohms min.  
 TEMPERATURE RATING: -55°C ~ +125°C

DW-5 F 5 X X X X 0 D 0

COLOUR  
 B: Blue K: Black W: White

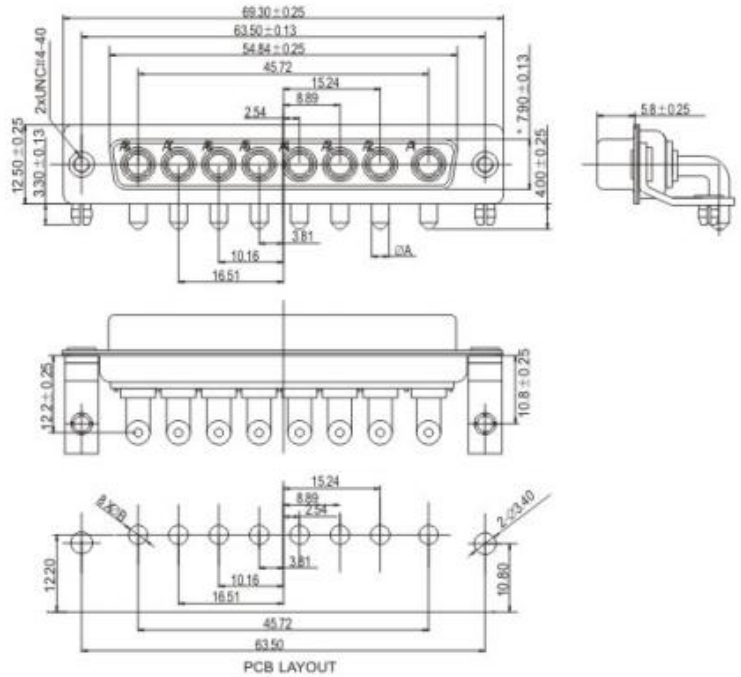
CURRENT:  
 A: 5 B: 10 C: 40 D: 20 E: 30

Contact Finish  
 A: Gold Flash C: Gold Flash3U"  
 D: Gold Flash5U" E: Gold Flash1 5U"  
 F: Gold Flash30U" G: Gold T: Tin

SHELL PLATING  
 A: Gold B: Front Gold and back Tin  
 C: Front Nickel and Back TIN  
 N: Nickel T: Tin 5: Zinc D: CU/ZNSN

PO(X)	电流强度(A)	∅A	PCB ∅B
1	10	1.7	2.0
2	20	2.75	3.0
3	30	3.3	3.6
4	40	3.8	4.10

8W8 母头90度插板式铆10.8支架锁4.8螺丝 / 8W8 female 90 degree insert plate riveting 10.8 bracket lock 4.8 screw

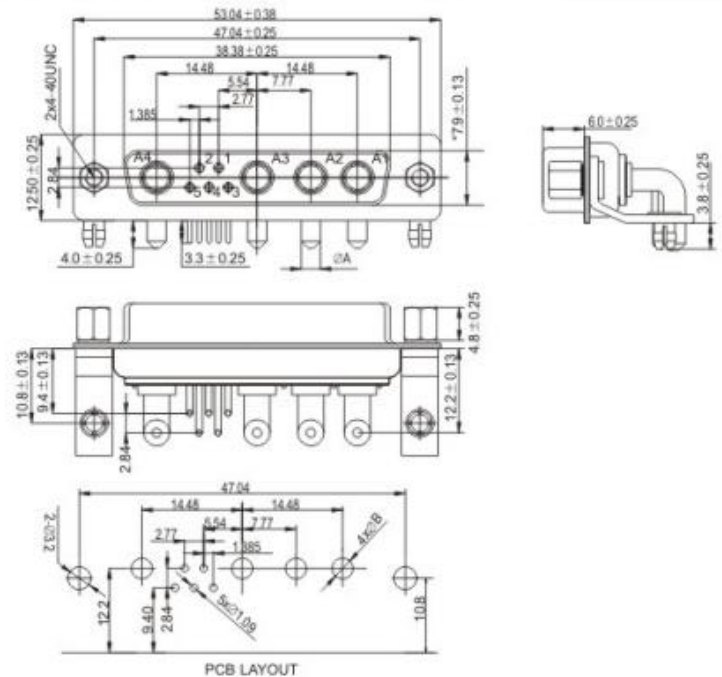


Material & finish & Electrical characteristics

- SHELL: steel or brass material, tin/hi or au finished
- CONNECTOR INSULATOR: PBT thermoplastic, 30% Glass filled, UL 94v-0 rated
- BRACKET MATERIAL: brass; ni finished
- HIGH POWER CONTACT MATERIAL: phosphor bronze; Brass 3u"-50u" gold plated
- HIGH POWER CONTACT CURRENT RATING: 10, 20, 30 or 40 amps
- HIGH POWER CONTACT RESISTANCE: 2.7 milliohms max.
- DIELECTRIC WITHSTANDING VOLTAGE: 1000 v ac for 1 minute
- INSULATION RESISTANCE: 5000 megaohms min.
- TEMPERATURE RATING: -55°C ~ +125°C

PO(X)	电流强度(A)	∅A	PCB ∅B
1	10	1.7	2.0
2	20	2.75	3.0
3	30	3.3	3.6
4	40	3.8	4.10

9W4 母头带支架10.8 锁螺丝 / 9W4 female with bracket 10.8 locking screw



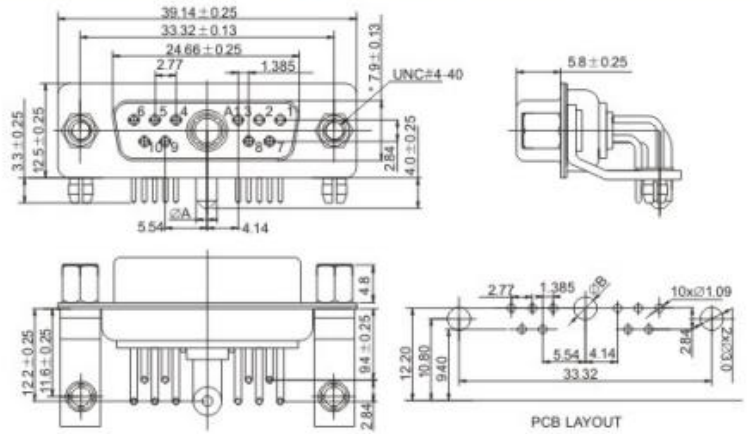
Material & finish

- SHELL: steel or brass material, tin/hi or au finished
- CONNECTOR INSULATOR: PBT thermoplastic, 30% Glass filled, UL 94v-0 rated
- HIGHT POWER CONTACT: copper alloy material, gold plated.
- CONNECTOR WITH SIGNAL CONTACT MATERIAL: copper alloy, gold plated
- BRACKET: copper alloy material, ni plated
- HIGH POWER CONTACT CURRENT RATING: 10, 20, 30 or 40 amps
- CONNECTOR WITH SIGNAL CONTACT CURRENT RATING: 3.0 amps
- THE WORKING VOLTAGE: 300V
- HIGH POWER CONTACT RESISTANCE: 2.7 milliohms max.
- DIELECTRIC WITHSTANDING VOLTAGE: 1000 v ac for 1 minute
- INSULATION RESISTANCE: 2000 megaohms min.
- TEMPERATURE RATING: -55°C ~ +125°C

PO(X)	电流强度(A)	∅A	PCB ∅B
1	10	1.7	2.0
2	20	2.75	3.0
3	30	3.3	3.6
4	40	3.8	4.10



11W1母电流弯焊板式铆10.8支架锁螺丝 / 11W1 female current bending welding plate riveting 10.8 bracket lock screw



DW-11 F 1 X X X X 0 D 0

COLOUR  
B: Blue K: Black W: White

CURRENT:  
A: 5 B: 10 C: 40 D: 20 E: 30

Contact Finish  
A: Gold Flash C: Gold Flash 3U\*  
D: Gold Flash 5U\* E: Gold Flash 1 5U\*  
F: Gold Flash 30U\* G: Gold T: Tin

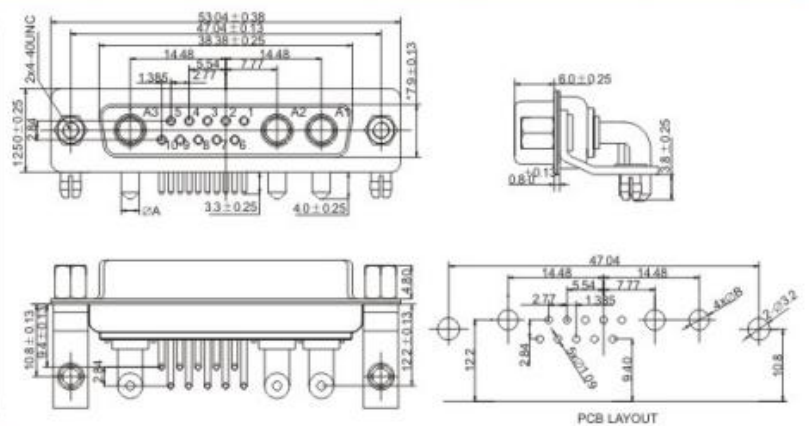
SHELL PLATING  
A: Gold B: Front Gold and back Tin  
C: Front Nickel and Back TIN  
N: Nickel T: Tin 5: Zinc D: CU/ZN/5N

PO(X)	电流强度(A)	∅A	PCB ∅B
1	10	1.7	2.0
2	20	2.75	3.0
3	30	3.3	3.6
4	40	3.8	4.10

Material & finish & Electrical characteristics

SHELL: steel or brass material, tin/ni or au finished  
CONNECTOR INSULATOR: PBT thermoplastic, 30% Glass filled, UL 94v-0 rated  
BRACKET MATERIAL: brass; ni finished  
CONNECTOR WITH SIGNAL CONTACT MATERIAL: phosphor bronze, 1u"-30u" gold plated  
HIGH POWER CONTACT MATERIAL: phosphor bronze/Brass 3u"-50u" gold plated  
HIGH POWER CONTACT CURRENT RATING: 10, 20, 30 or 40 amps  
HIGH POWER CONTACT RESISTANCE: 2.7 milliohms max.  
CONNECTOR WITH SIGNAL CONTACT RESISTANCE: 10 milliohms max.  
DIELECTRIC WITHSTANDING VOLTAGE: 1000 v ac for 1 minute  
INSULATION RESISTANCE: 5000 megohms min.  
TEMPERATURE RATING: -55°C ~ +125°C

13W3 母头弯插带10.8支架锁螺丝 / 13W3 female head bending insert belt 10.8 bracket lock screw



DW-13 M 3 X X X X 0 D 0

COLOUR  
B: Blue K: Black W: White

CURRENT:  
A: 5 B: 10 C: 40 D: 20 E: 30

Contact Finish  
A: Gold Flash C: Gold Flash 3U\*  
D: Gold Flash 5U\* E: Gold Flash 1 5U\*  
F: Gold Flash 30U\* G: Gold T: Tin

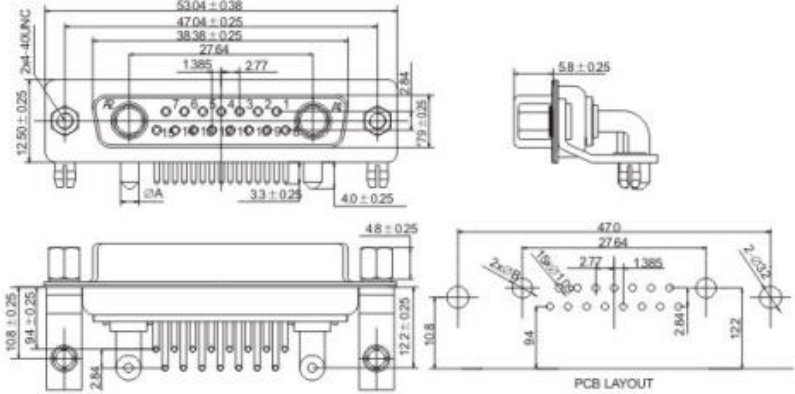
SHELL PLATING  
A: Gold B: Front Gold and back Tin  
C: Front Nickel and Back TIN  
N: Nickel T: Tin 5: Zinc

PO(X)	电流强度(A)	∅A	PCB ∅B
1	10	1.7	2.0
2	20	2.75	3.0
3	30	3.3	3.6
4	40	3.8	4.10

Material & finish & Electrical characteristics

SHELL: steel or brass material, tin/ni or au finished  
CONNECTOR INSULATOR: PBT thermoplastic, 30% Glass filled, UL 94v-0 rated  
HIGH POWER CONTACT: copper alloy material, gold plated.  
CONNECTOR WITH SIGNAL CONTACT MATERIAL: copper alloy, gold plated  
BRACKET: copper alloy material, ni plated  
HIGH POWER CONTACT CURRENT RATING: 10, 20, 30 or 40 amps  
CONNECTOR WITH SIGNAL CONTACT CURRENT RATING: 3.0 amps  
THE WORKING VOLTAGE: 300V  
HIGH POWER CONTACT RESISTANCE: 2.7 milliohms max.  
DIELECTRIC WITHSTANDING VOLTAGE: 1000 v ac for 1 minute  
INSULATION RESISTANCE: 2000 megohms min.  
TEMPERATURE RATING: -55°C ~ +125°C

**17W2 母头弯插铆10.8支架锁4.8螺丝 / 17W2 female bend riveting 10.8 bracket lock 4.8 screw**



**Material & finish & Electrical characteristics**

- SHELL: steel or brass material, tin/hi or au finished
- CONNECTOR INSULATOR: PBT thermoplastic, 30% Glass filled, UL 94v-0 rated
- HIGHT POWER CONTACT: copper alloy material, gold plated.
- CONNECTOR WITH SIGNAL CONTACT MATERIAL: copper alloy, gold plated
- BRACKET: copper alloy material, ni plated
- HIGH POWER CONTACT CURRENT RATING: 10, 20, 30 or 40 amps
- CONNECTOR WITH SIGNAL CONTACT CURRENT RATING: 3.0 amps
- THE WORKING VOLTAGE: 300V
- HIGH POWER CONTACT RESISTANCE: 2.7 milliohms max.
- DIELECTRIC WITHSTANDING VOLTAGE: 1000 v ac for 1 minute
- INSULATION RESISTANCE: 2000 megohms min.
- TEMPERATURE RATING: -55°C - +125°C

**DW-17 F 2 X X C X 0 D 0**

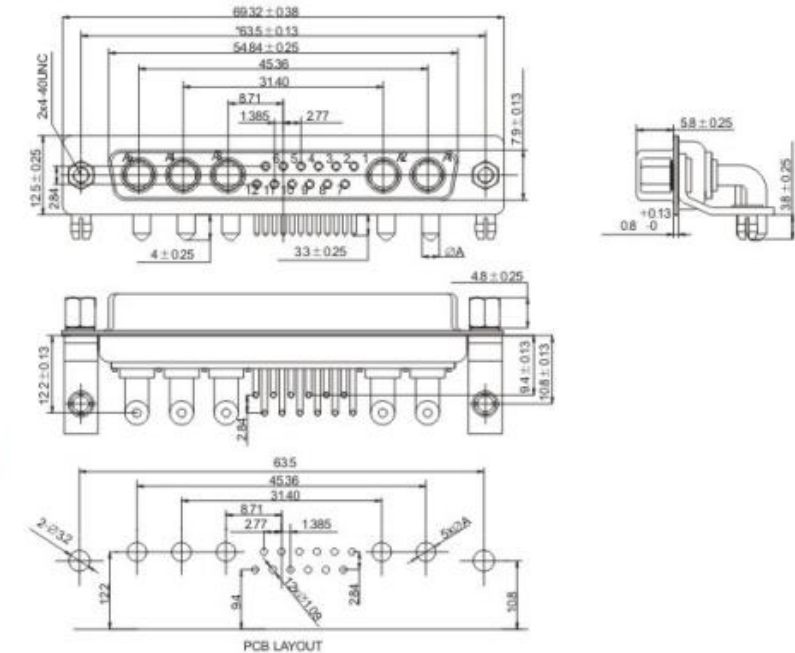
COLOUR  
B: Blue K: Black W: White

CURRENT:  
A: 5 B: 10 C: 40 D: 20 E: 30

Contact Finish  
A: Gold Flash C: Gold Flash 3U"  
D: Gold Flash 5U" E: Gold Flash 1 5U"  
F: Gold Flash 30U" G: Gold T: Tin

PO(X)	电流强度(A)	∅A	PCB ∅B
1	10	1.7	2.0
2	20	2.75	3.0
3	30	3.3	3.6
4	40	3.8	4.10

**17W5 母头弯插带10.8支架锁螺丝 / 17W5 female bending insert belt 10.8 bracket lock screw**



**Material & finish**

- SHELL: steel or brass material, tin/hi or au finished
- CONNECTOR INSULATOR: PBT thermoplastic, 30% Glass filled, UL 94v-0 rated
- HIGHT POWER CONTACT: copper alloy material, gold plated.
- CONNECTOR WITH SIGNAL CONTACT MATERIAL: copper alloy, gold plated
- BRACKET/SCREW: copper alloy material, ni plated
- HIGH POWER CONTACT CURRENT RATING: 10, 20, 30 or 40 amps
- CONNECTOR WITH SIGNAL CONTACT CURRENT RATING: 3.0 amps
- THE WORKING VOLTAGE: 300V
- HIGH POWER CONTACT RESISTANCE: 2.7 milliohms max.
- DIELECTRIC WITHSTANDING VOLTAGE: 1000 v ac for 1 minute
- INSULATION RESISTANCE: 2000 megohms min.
- TEMPERATURE RATING: -55°C - +125°C

PO(X)	电流强度(A)	∅A	PCB ∅B
1	10	1.7	2.0
2	20	2.75	3.0
3	30	3.3	3.6
4	40	3.8	4.10



D-SUB 大电流系列 / D-SUB High current series



▲ D-SUB-2V2



▲ D-SUB-2W2



▲ D-SUB-5W1



▲ D-SUB-5W5



▲ D-SUB-8W8



▲ D-SUB-9W4



▲ D-SUB-11W1



▲ D-SUB-13W3



▲ D-SUB-17W5



▲ D-SUB-3V3



▲ D-SUB-3W3



▲ D-SUB-17W2

D-SUB 防水系列 / D-SUB Waterproof series



▲ D-SUB 3W3 防水  
D-SUB 3W3 Waterproof



▲ D-SUB 5W5 防水  
D-SUB 5W5 Waterproof



▲ D-SUB 8W8 防水  
D-SUB 8W8 Waterproof



▲ D-SUB 13W3 防水  
D-SUB 13W3 Waterproof



▲ D-SUB 25 Pin 防水  
D-SUB 25 Pin Waterproof



▲ D-SUB HD 44 Pin 防水  
D-SUB HD 44 Pin Waterproof



▲ D-SUB 09 Pin M 防水  
D-SUB 09 Pin M Waterproof



▲ D-SUB 15 Pin M 防水  
D-SUB 15 Pin M Waterproof



▲ D-SUB 25 Pin M 防水  
D-SUB 25 Pin M Waterproof



▲ D-SUB 37 Pin M 防水  
D-SUB 37 Pin M Waterproof



▲ D-SUB 09 Pin F 防水  
D-SUB 09 Pin F Waterproof



▲ D-SUB 15 Pin F 防水  
D-SUB 15 Pin F Waterproof



▲ D-SUB 25 Pin F 防水  
D-SUB 25 Pin F Waterproof



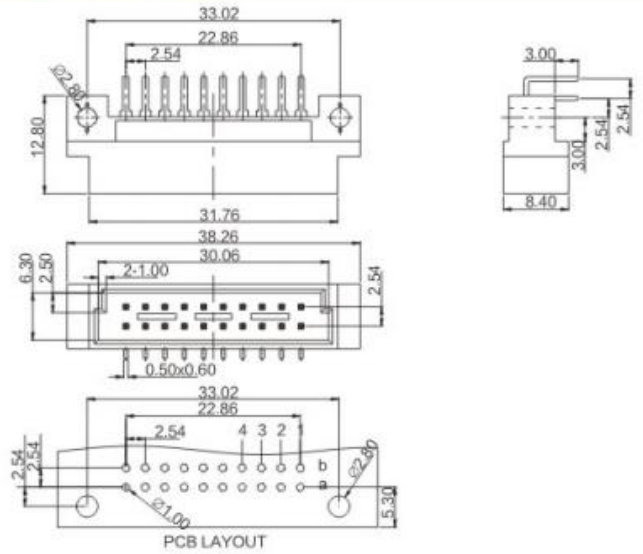
▲ D-SUB 37 Pin F 防水  
D-SUB 37 Pin F Waterproof



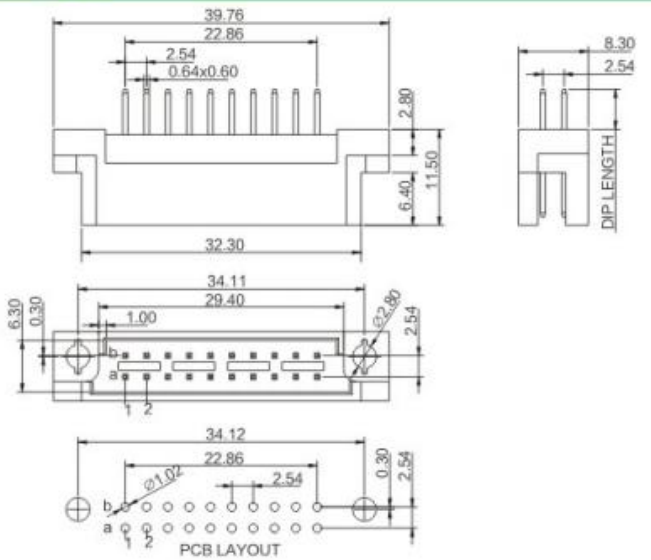
▲ D-SUB 防水壳  
D-sub waterproof shell



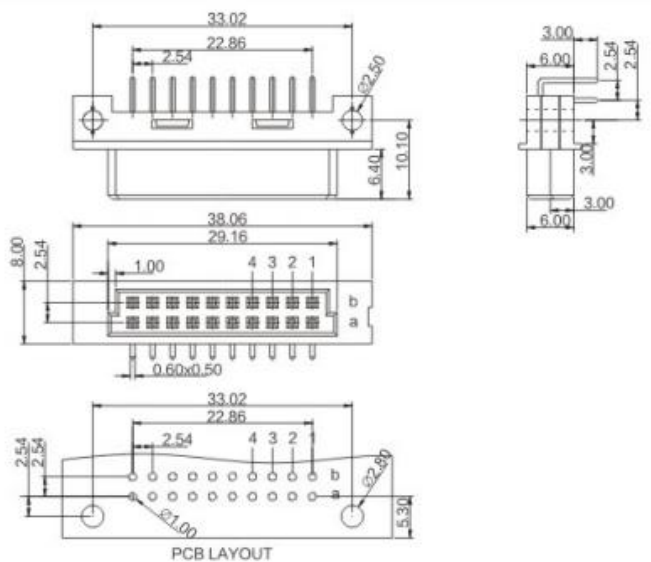
**220-Male Right angle solder / 220-公座折弯型焊板**



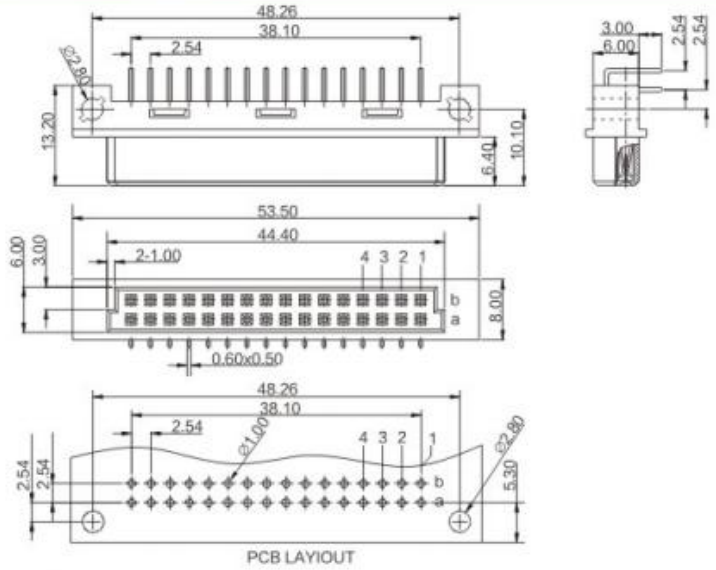
**220-Male Straight solder / 220-公座直插焊板**



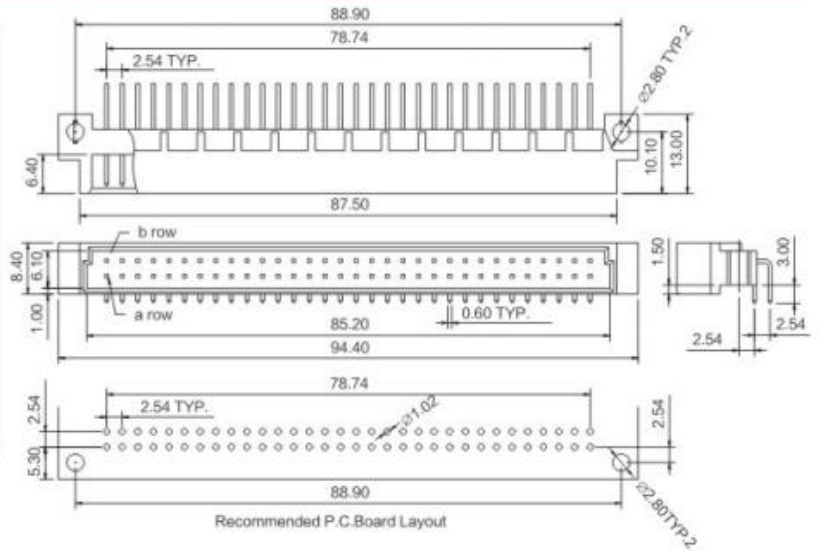
**220-Female Right angle solder / 220-母座折弯型焊板**



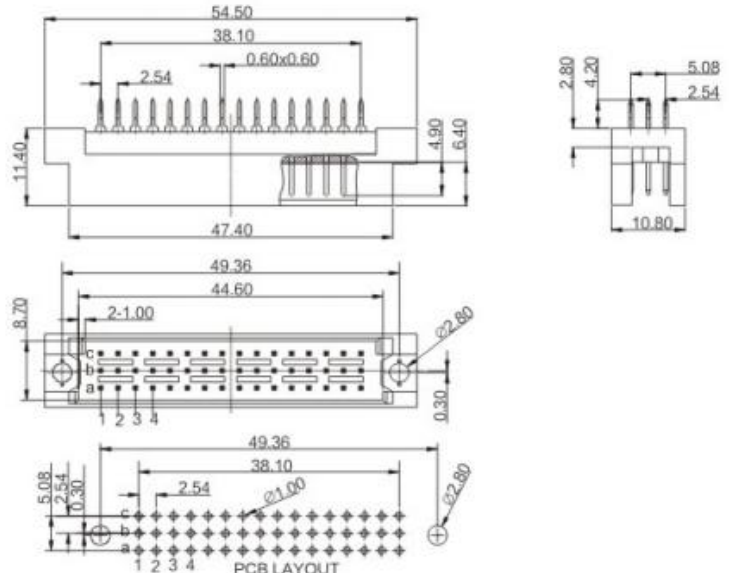
232-Female Right angle solder / 232-母座折弯型焊板



264-Male Right Angle solder / 264-公座折弯型焊板

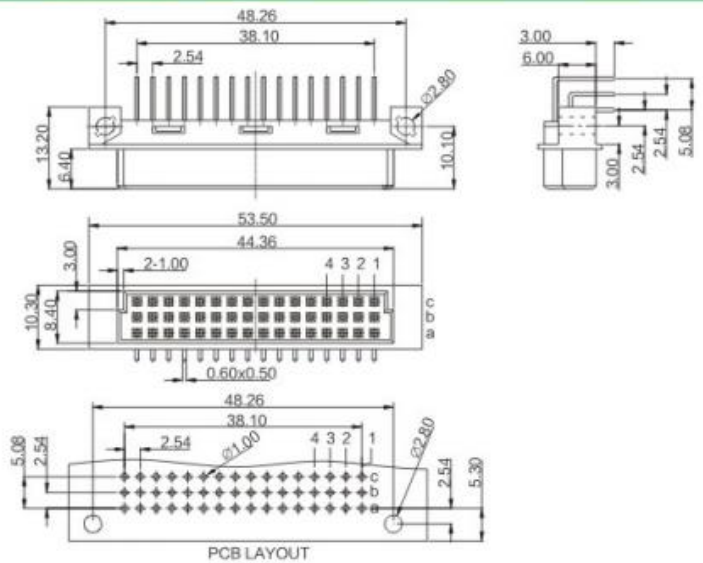


348-Male Straight solder / 348-公座直插焊板

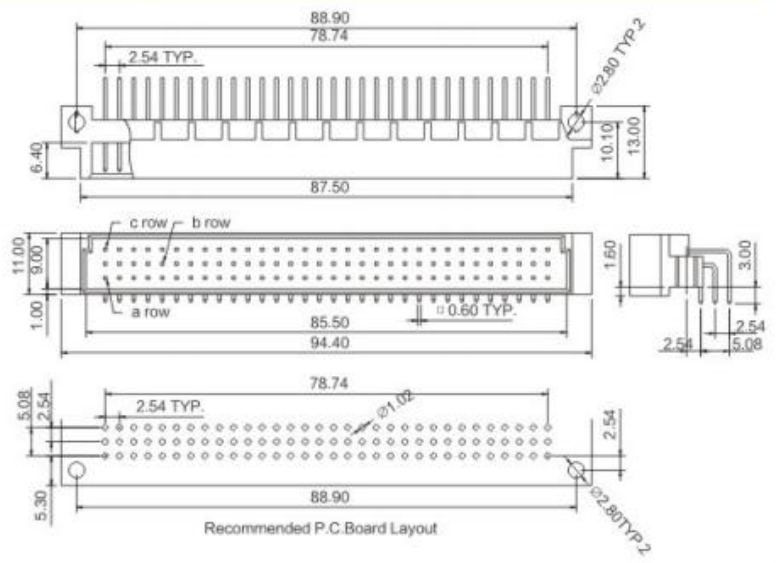




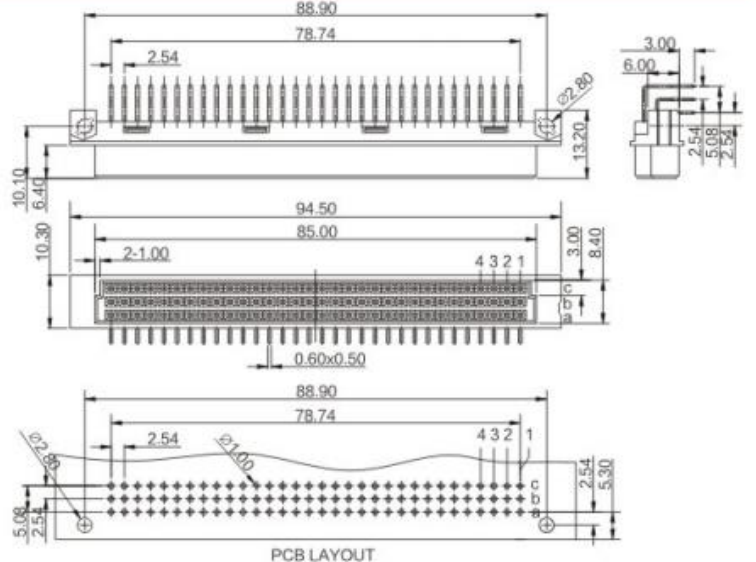
348-Female Right Angle solder / 348-母座折弯焊板



396-Male Right angle solder / 396-公座折弯焊板



396-Female Right Angle solder / 396-母座折弯焊板



SCSI 母头直插 / SCSI female plug in



Features & Material

Half pitch 1.27mm(.050") series  
Centronic type female connector for P.C.B straight dip solder type  
Panel mount receptacle assemblies bracket with latch block  
Fully EMI/RFI shielded

Housing: Plastic thermoplastic P.B.T UL94V-0 black

Contact: Copper alloy gold selective plated

Front Shell: Zinc alloy, Nickel plated over copper

Current Rating: 1 Amp

Insulation Resistance: 500MΩ/Min

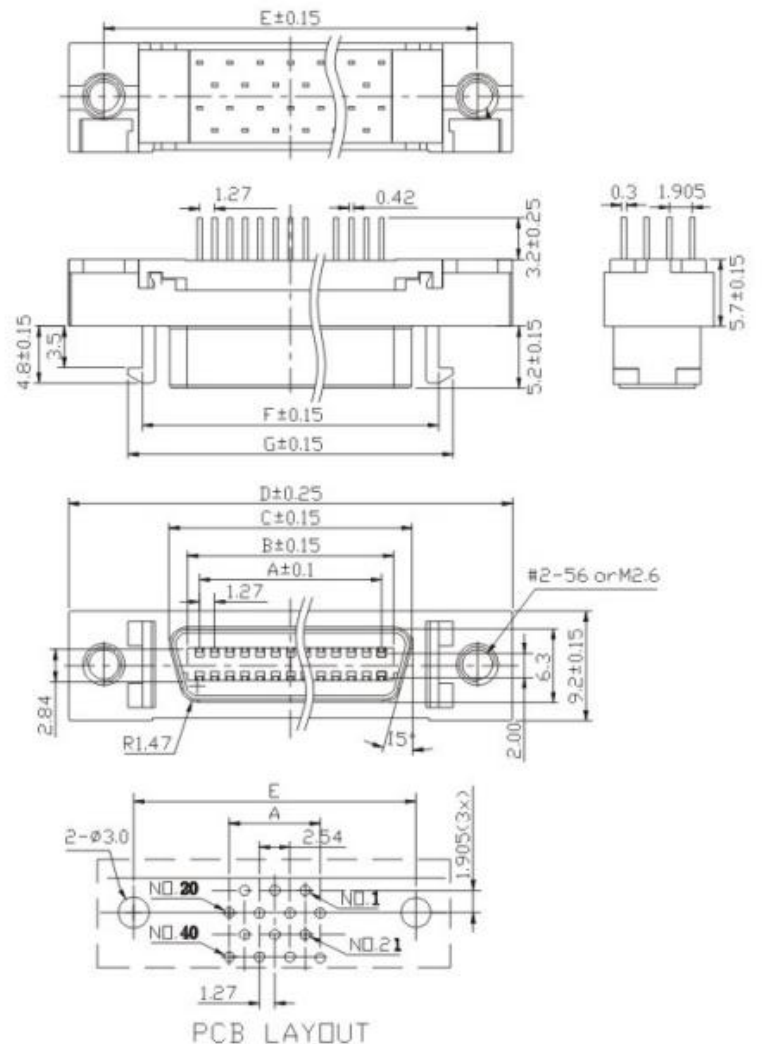
Withstanding Voltage: 500V AC/Min

Contact Resistance: 35mΩ Max

Temperature Range: -55℃ ~ + 105℃

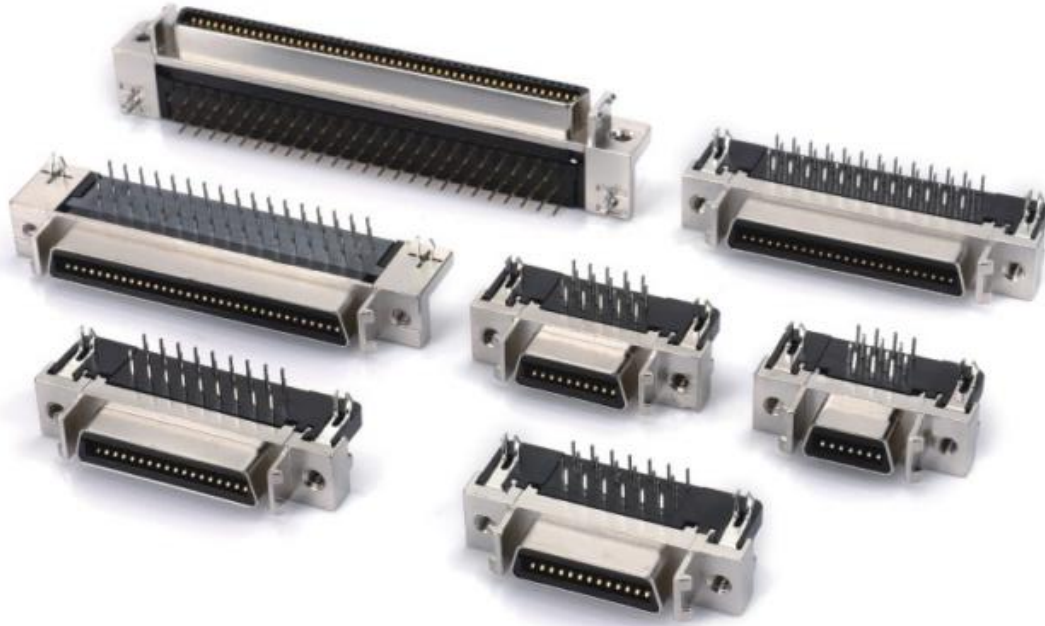
NO.OF PIN	DIMENSIONS			
	A	B	C	D
20	11.43	13.1	16.43	33.32
36	21.59	23.4	26.5	43.48

NO.OF PIN	DIMENSIONS		
	E	F	G
20	27.45	21.06	23.39
36	37.61	31.11	33.55





SCSI 母头弯插 / SCSI female bending plug



Material

Housing: Plastic thermoplastic P.B.T UL94V-0 black

Contact: Copper alloy gold selective plated

Front Shell: Zinc alloy, Nickel plated over copper

Current Rating: 1 Amp

Insulation Resistance: 500MΩ / Min

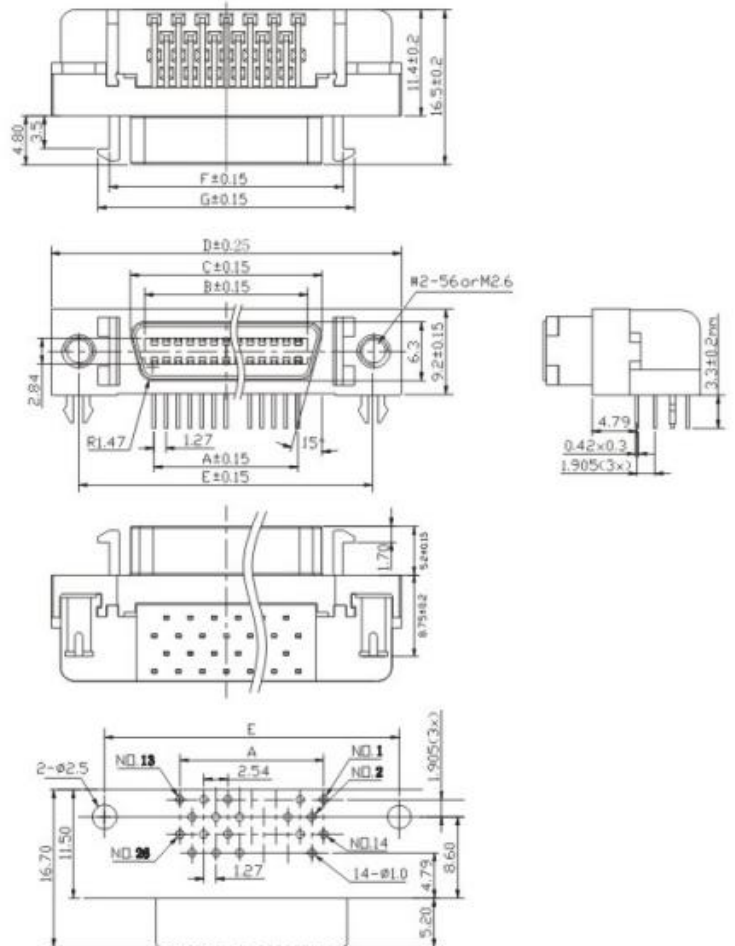
Withstanding Voltage: 500V AC/Min

Contact Resistance: 35mΩ Max

Temperature Range: -55°C ~ + 105°C

NO.OF PIN	DIMENSIONS			
	A	B	C	D
14	7.62	9.52	12.60	29.51
26	15.24	17.10	20.24	37.13
50	30.48	32.29	35.39	52.37

NO.OF PIN	DIMENSIONS		
	E	F	G
14	23.64	17.25	19.58
26	31.26	24.76	27.20
50	46.50	40.00	42.44



PCB LAYOUT

SCSI 母头弯插系列 / SCSI female bending plug series



▲ SCSI 母头弯插 DB型  
SCSI female bent DB

▲ SCSI IDC 68P母头 DB型  
SCSI IDC 68p female DB

▲ SCSI 公头焊线式 DB型  
SCSI male soldered DB

▲ SCSI IDC 68P母头  
SCSI IDC 68P female

▲ SCSI 公头焊线式  
SCSI male wire bonding



SCSI 14,26,50P FEMALE 180°DIP(锌合金外壳) / SCSI 14,26,50p female 180° dip (zinc alloy housing)



▲ SCSI 50P母头 焊线式带弹片式金属外壳  
SCSI 50p female head wire welded metal shell with shrapnel



▲ SCSI 68P公头带弹片式外壳  
SCSI 68P male with shrapnel shell



▲ SCSI 68P母头焊线式带螺丝式金属外壳  
SCSI 68P female soldered wire with screw metal housing



▲ SCSI 50P母头 焊线式带螺丝式金属外壳  
SCSI 50p female soldered wire with screw metal enclosure



▲ SCSI 68P公头IDC  
SCSI 68P male IDC



▲ SCSI IDC 68P公头带螺丝式金属外壳DB型  
SCSI IDC 68P male with screw type metal shell DB type



▲ SCSI IDC 100P公头带螺丝式金属外壳DB型  
SCSI IDC 100p male with screw type metal shell DB type

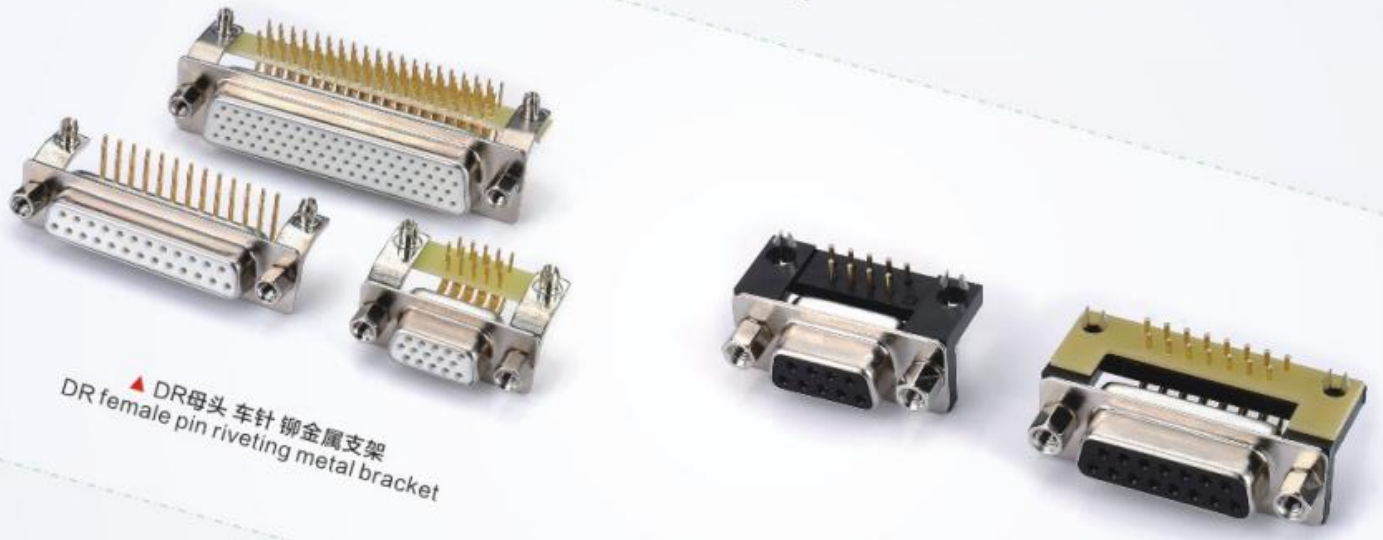


▲ SCSI IDC 50P公头  
SCSI IDC 50P male

DP / DR 系列 / DP / DR series



▲ DP 20P公头 六件式  
DP 20p male six piece



▲ DR母头 车针 铆金属支架  
DR female pin riveting metal bracket

▲ DR母头 车针 铆塑胶支架  
DR female pin riveting plastic bracket



▲ DR公头 车针 铆塑胶支架  
DR male pin riveting plastic bracket



VHDCI 系列 / VHDCI series



▲ VHDCI 26P公头 焊线式  
VHDCI 26P male welding wire type



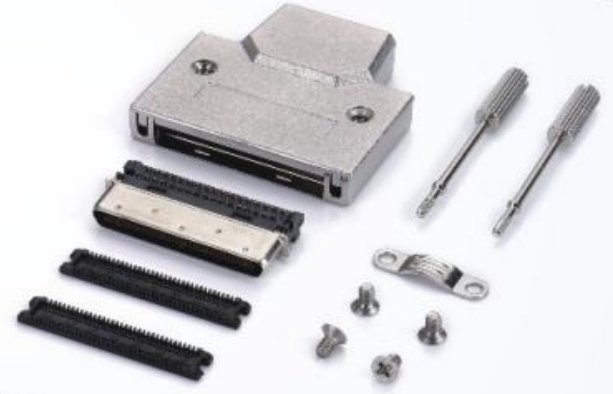
▲ VHDCI 母头 弯插 单层  
VHDCI female bent insert single layer



▲ VHDCI 母头 弯插 双层  
VHDCI female bent insert double layer



▲ VHDCI 68P公头 带螺丝式金属外壳  
VHDCI 68P male with screw type metal housing



▲ VHDCI IDC 68P公头 带螺丝式金属外壳  
VHDCI IDC 68P male with screw type metal housing



▲ VHDCI 焊线式  
VHDCI wire bonding



▲ VHDCI 弯插  
VHDCI bend plug

1394 / D-SUB 外壳系列 / 1394 / D-SUB Shell series



▲ 1394 9P公头带护套 / 1394 9P male with sheath



▲ USB AF焊线式三件式 / USB AF wire three piece



▲ 1394 6P公头 / 1394 6P male



▲ D-SUB 09P塑胶外壳短螺杆  
D-sub 09P short screw of plastic shell



▲ D-SUB 15P塑胶外壳短螺杆  
D-sub 15P short screw of plastic shell



▲ D-SUB 25P塑胶外壳短螺杆  
D-sub 25P short screw of plastic shell



▲ D-SUB 37P塑胶外壳长螺杆  
D-sub 37P plastic shell long screw



▲ D-SUB 50P塑胶外壳长螺杆  
D-sub 50P plastic shell long screw



CN 系列 / CN series



▲ CN 公头 IDC  
CN male IDC



▲ CN 母头 IDC  
CN female IDC



▲ CN 焊线式  
CN wire bonding



▲ CN 母头直插  
CN female direct insertion



▲ CN 连接器 带外壳  
CN connector with shell



▲ CN 弯插 带塑胶支架  
CN bending insert belt plastic bracket

冲压系列 / Stamping series



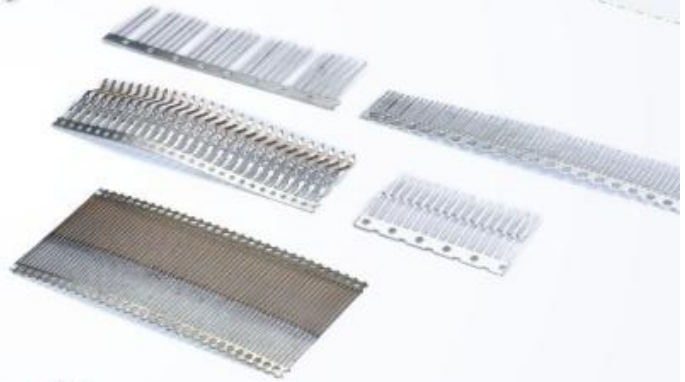
▲ 五金冲压件 / Metal stamping parts



▲ 马口铁 / Tinplate



▲ 冲压端子  
Stamping terminal



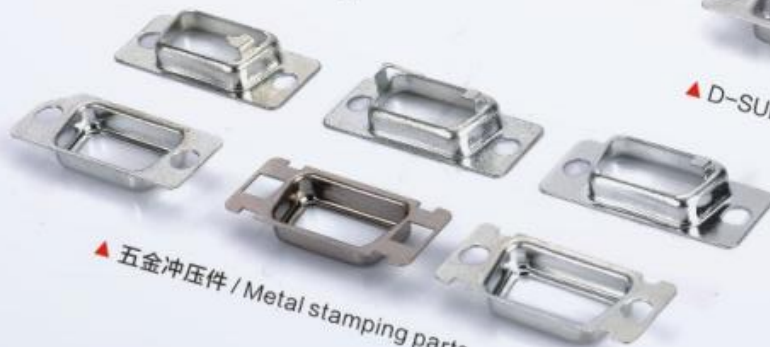
▲ 冲压端子  
Stamping terminal



▲ D-SUB 后壳铁壳 / D-sub back shell



▲ D-SUB 母头冲孔铁壳 / D-sub female punch iron shell



▲ 五金冲压件 / Metal stamping parts



线束系列 / Harness series



▲ 180°公 / 180°male



▲ D-SUB连接线 / D-SUB Connecting line



▲ MP-5T180MUNNA



▲ SCSI 20P MALE CALBE 锌合金弹片式  
SCSI 20P MALE CALBE Zinc alloy shrapnel



▲ SCSI 20P MALE CALBE



▲ SCSI 26P MALE CALBE 锌合金弹片式  
SCSI 26P MALE CALBE Zinc alloy shrapnel



▲ SCSI 36P MALE CALBE 锌合金弹片式  
SCSI 36P MALE CALBE Zinc alloy shrapnel



▲ SCSI 50P MALE CALBE 锌合金弹片式  
SCSI 50P MALE CALBE Zinc alloy shrapnel



▲ SCSI 50P MALE CALBE 锌合金弹片式斜出线  
SCSI 50P MALE CALBE  
Zinc alloy shrapnel type inclined wire



▲ D-SUB连接线 / D-SUB connecting line



▲ D-SUB连接线 / D-SUB connecting line



▲ VHDCI连接线 / VHDCI connecting line



▲ DB-IDC连接线 / DB-IDC Connecting line



▲ RJ21 501



▲ 工业类连接线 / Industrial connecting line

线束系列 / Harness series



▲ SCSI 68P MALE CALBE 锌合金弹片式  
SCSI 68P MALE CALBE Zinc alloy shrapnel



▲ SCSI 100P MALE CALBE 锌合金弹片式  
SCSI 100P MALE CALBE Zinc alloy shrapnel



▲ SCSI 100P MALE CALBE 锌合金螺丝式  
SCSI 100P MALE CALBE Zinc alloy screw type



▲ SCSI PIN TYPE 20P MALE CABLE 塑壳螺丝式  
SCSI PIN TYPE 20P MALE CABLE  
Molded case screw type



▲ RJ21 male / male



▲ CN50-VHDCI 连接线  
CN50-VHDCI Connecting line



▲ USB 3.0 AM-USB 3.1 C  
TYPE MALE CABLE



▲ USB 3.1 C TYPE MALE CABLE



▲ VHDCI



▲ RJ21 Male to Female



▲ RJ21 Male to Male



▲ RJ21 Female to Female



D-SUB 锌合金外壳系列 / D-SUB Zinc alloy shell series



▲ D-SUB 锌合金外壳  
D-SUB Zinc alloy shell



▲ D-SUB 锌合金外壳  
D-SUB Zinc alloy shell



▲ D-SUB 锌合金外壳  
D-SUB Zinc alloy shell



▲ D-SUB 锌合金外壳90° 出线  
D-SUB Zinc alloy shell 90° outlet



▲ D-SUB 锌合金外壳45° 出线  
D-SUB Zinc alloy shell 45° outlet



▲ D-SUB 锌合金外壳180° 出线  
D-SUB Zinc alloy shell 180° outlet



▲ D-SUB 锌合金外壳180° 出线  
D-SUB Zinc alloy shell 180° outlet



▲ D-SUB 15P 锌合金外壳45° 出线  
D-SUB 15P Zinc alloy shell 45° outlet



▲ D-SUB 15P 锌合金外壳180° 出线  
D-SUB 15P Zinc alloy shell 180° outlet



▲ D-SUB 15P 锌合金外壳180° 出线  
D-SUB 15P Zinc alloy shell 180° outlet



▲ D-SUB 15P 锌合金外壳180° 出线  
D-SUB 15P Zinc alloy shell 180° outlet



▲ D-SUB 15P 锌合金外壳180° 出线  
D-SUB 15P Zinc alloy shell 180° outlet



▲ D-SUB 15P 锌合金外壳45° 出线  
D-SUB 15P Zinc alloy shell 45° outlet



▲ D-SUB 25P 锌合金外壳180° 出线  
D-SUB 25P Zinc alloy shell 180° outlet



▲ D-SUB 25P 锌合金外壳180° 出线  
D-SUB 25P Zinc alloy shell 180° outlet



▲ D-SUB 25P 锌合金外壳180° 出线  
D-SUB 25P Zinc alloy shell 180° outlet



▲ D-SUB 37P 锌合金外壳180° 出线  
D-SUB 37P Zinc alloy shell 180° outlet



▲ D-SUB 50P 锌合金外壳180° 出线  
D-SUB 50P Zinc alloy shell 180° outlet



▲ VHDCI 68P 锌合金外壳180° 出线  
VHDCI 68P Zinc alloy shell 180° outlet



▲ SCSI 锌合金外壳180° 出线  
SCSI 68P Zinc alloy shell 180° outlet

其它系列 / Other series



▲ USB 3.0 AM焊线式短体  
USB 3.0 AM wire bonding short body



▲ USB 3.0 AF板上90度DIP弯脚  
USB 3.0 AF90 degree dip bend on board



▲ USB 3.0 AF180度弯脚  
USB 3.0 AF180 degree bend



▲ USB 3.0 AF双层180度DIP弯脚  
USB 3.0 AFDouble 180 degree dip curve



▲ USB AM转接头  
USB AM adapter



▲ DP转接头  
DP adapter



▲ HDMI转接头  
HDMI adapter



▲ HDMI AM AF



▲ HDMI A转C  
HDMI A to C



▲ HDMI 母转母  
HDMI female to female



▲ HDMI 19PIN A母直立式SMT型  
HDMI 19pin A female vertical SMT



▲ HDMI TYPE AF 90度沉板式  
HDMI TYPE AF 90 degree sink plate



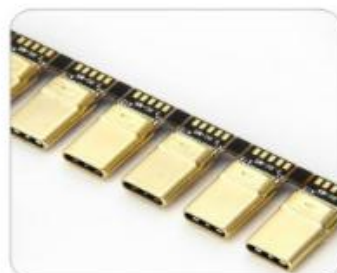
▲ DVI 24+5 铆合90度  
DVI 24 + 5 riveting 90 degrees



▲ DVI 24+5 母插板  
DVI 24+5 female Plugboard



▲ DVI 24+1公夹板焊线  
DVI 24+1 Male splint welding line



▲ TYPE-C 公头  
TYPE-C male



▲ TYPE-C转USB AM  
TYPE-C to USB AM



▲ TYPE-C 6P 母座防水  
TYPE-C 6P female seat waterproof



▲ TYPE-C 24P 母座上单壳  
TYPE-C 24P female seat single shell on board



▲ TYPE-C 24P 母座直立式  
TYPE-C 24P female vertical



诚信、共赢、感恩  
Honesty, win-win and gratitude

Pogo Pin 弹簧针系列 / Pogo Pin spring needle series



# 深圳市深艾华科技有限公司

50

[www.wellsconn.com](http://www.wellsconn.com)

公司网站: [www.wellsconn.com](http://www.wellsconn.com) 邮编: 518049

广东省深圳市福田区中航路 7 号鼎诚大厦 1215 室

TEL;86-755-82812387 82812305 82812204 82722906

邮箱 [shirly@wellsconn.com](mailto:shirly@wellsconn.com)

1. 徐经理: QQ:3368662693 QQ: 535166490 QQ: 1621344430
2. 孙经理 [sun@wellsconn.com](mailto:sun@wellsconn.com) 手机号码: 13808804861
3. 林经理 QQ: 985444766 邮箱 [985444766@qq.com](mailto:985444766@qq.com)
4. 李经理 QQ: 2171857120 邮箱 [2171857120@qq.com](mailto:2171857120@qq.com)
5. 陈助理 QQ: 1056355571 邮箱 [service@wellsconn.com](mailto:service@wellsconn.com)